



***Ready for  
the future!***

**MARWI<sup>®</sup>**

**2018 Catalogue**



**Marwi® Group** is one of the most globally organized manufactures in the bicycle industry, with production sites and offices in 6 countries (Taiwan, Indonesia, Netherlands, Czech Republic, Germany and USA).

With a total of approximately 500 employees, **Marwi® Group** is one of the largest pedal manufacturers in the world.

**Marwi® Group** has dedicated itself to develop a new generation of pedals with the best performance on the world's stage. With over 30 year's experiences in the bicycle industry, every step we take will be made to provide better riding equipment and innovative design.

With the newly established automatic production lines in Marwi Taiwan, we are **ready for the future ...**

**1983**

"XERAMA" was established as the English name of the founding Taiwanese company as well as the brand name.

**1992**

"PT. Xerama Bicycle Industrial" was founded in Tangerang / Indonesia.

**1995**

"Marwi International A/S" obtained the UNION® brand.

**1998**

"Marwi International A/S" merged with "Xerama Taiwan" and "Xerama Indonesia" into the new "Marwi Group". The Marwi Group owned from now on the brands UNION®, Ti-Dye® and nightpro®.

**2000**

Marwi Europe's headquarters in the Netherlands was founded.

**2007**

Marwi Taiwan took the annual award for bicycle accessories in the "innovative product awards" from the TBEA (Taiwan Bicycle Exporter's Association).

**2009**

Marwi won the 11th. Taiwanese "overseas businessman award" from MOEA.

**2010**

Marwi Europe moved into their new office building.

**2011**

Marwi Taiwan completed their new office and factory.

**2012**

Marwi Taiwan celebrate their 30<sup>th</sup> year anniversary.

**2013**

Marwi Taiwan set up automatic production lines for pedals and saddles. Marwi USA opened in California.

**2014**

Marwi Taiwan installed the first robots in the Taiwan bike industry.

**2015**

Marwi Taiwan completed the first fully automatic pedal assembly line.

**2016**

Marwi Taiwan opened its own moulding factory.

**2017**

Marwi Group is **ready for the future...**



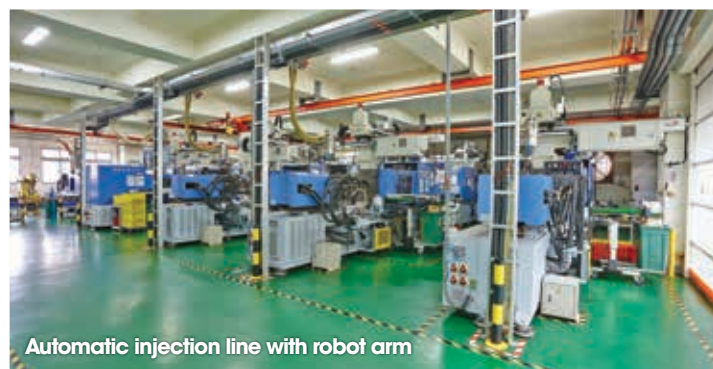
# Automated Production



Automatic Aluminium Die-casting line with robot arm and conveyer



Automatic injection line with robot arm



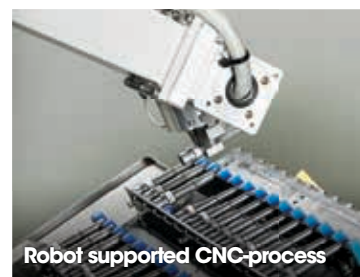
Automatic injection line with robot arm



Automatic axle production, linked with conveyer system



Automatic centerless CNC grinding



Robot supported CNC-process

# Ready for the future

Automated & Robotic Supported Production Lines

## Automated Production



Automatic saddle foaming carousel machine



Automatic saddle base injection, linked with conveyer system



Automatic saddle foaming machine

# Ready for the future

Quality Control and Testing (ISO/EN/DIN/JIS/CPSC etc.)

## Rigorous Fatigue Testing



Pedal - dynamic durability test



Saddle and seat pillar clamp - fatigue test



Pedal spindle - impact test



Pedal - impact test



Saddle - fatigue test

## Quality Inspection

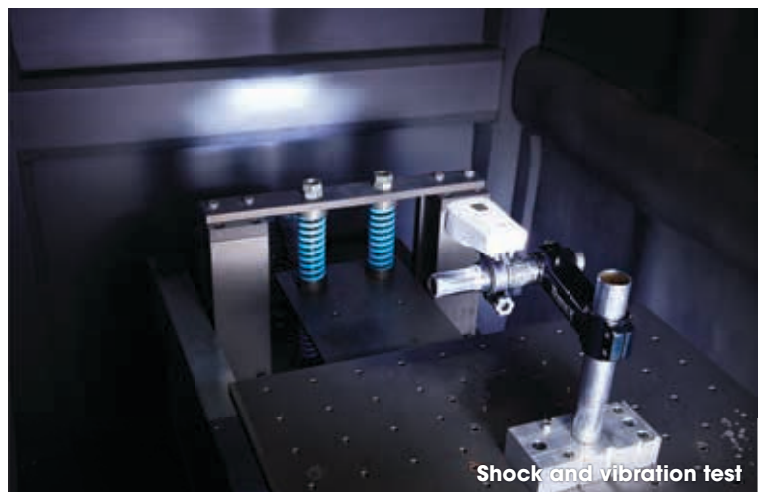
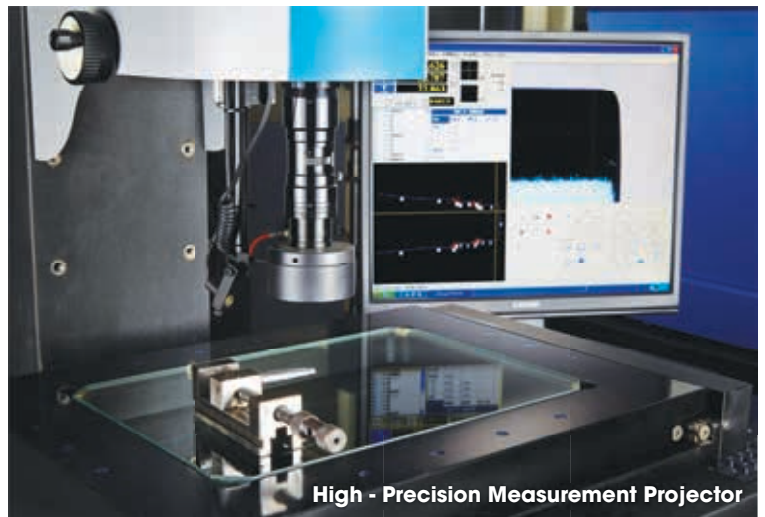
### Rigorous Fatigue Testing

In our Quality Control Laboratory we investigate the products and components with the newest testing equipment. We examine permanently with static and dynamic strength and durability tests, deep temperature impact tests, etc. ...

### Quality-Inspection

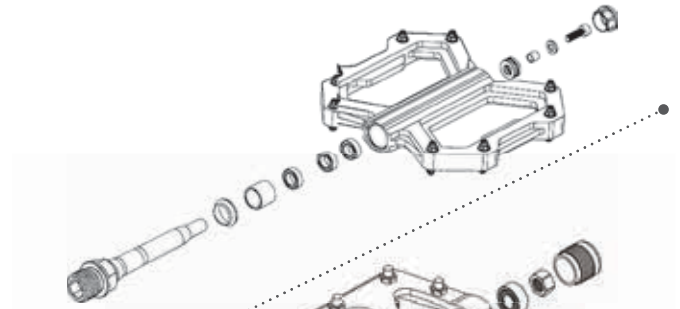
According to our QA/QC - System we control with several QC-tests the various production steps.

Furthermore we check the numerous quality parameters of components and products, like hardness, dimensions, water resistance, environmental and chemical resistance (salt spray test) and others ...



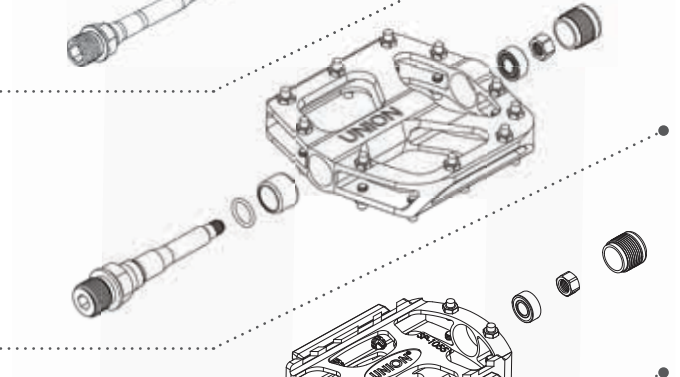
## TCS

- **Thrust + Cartridge System**  
heat-treated Cr-Mo axle  
(made in Taiwan)



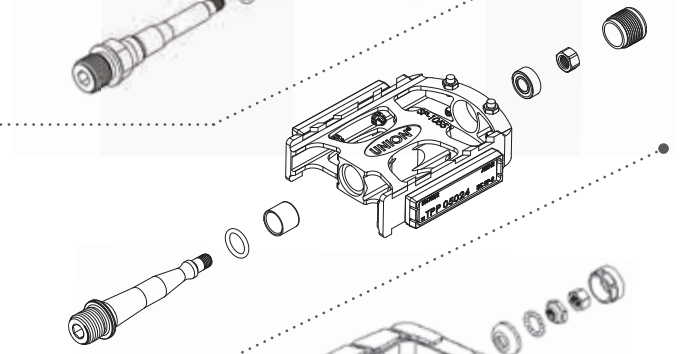
## NCS

- **Needle + Cartridge System**  
heat-treated Cr-Mo axle  
(made in Taiwan)



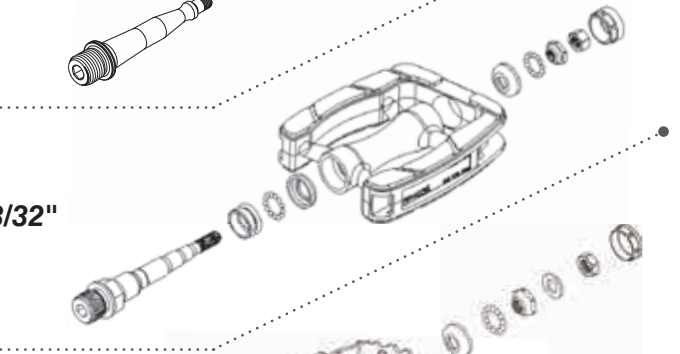
## CBS

- **Cartridge + Bushing System**  
heat-treated Cr-Mo axle  
(made in Taiwan)



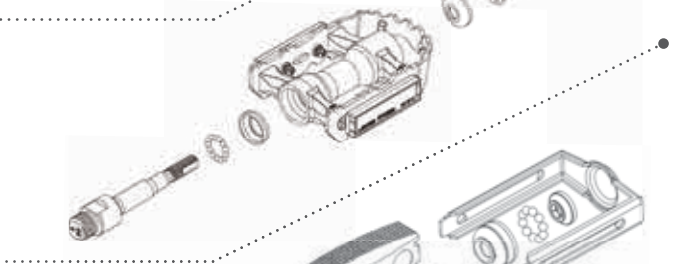
## LBA

- **Adjustable light weight ball bearings 3/32"**  
heat-treated boron steel axle



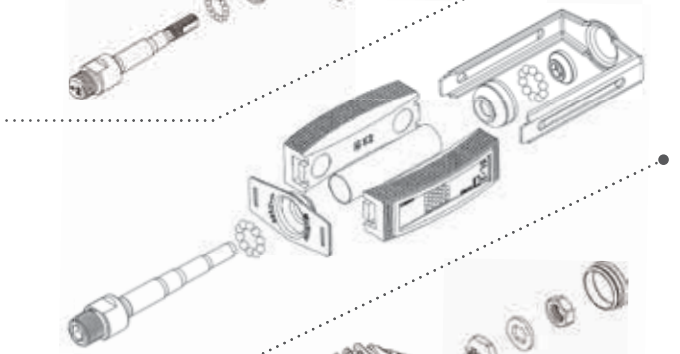
## BA

- **Adjustable ball bearings 1/8"**  
heat-treated boron steel axle



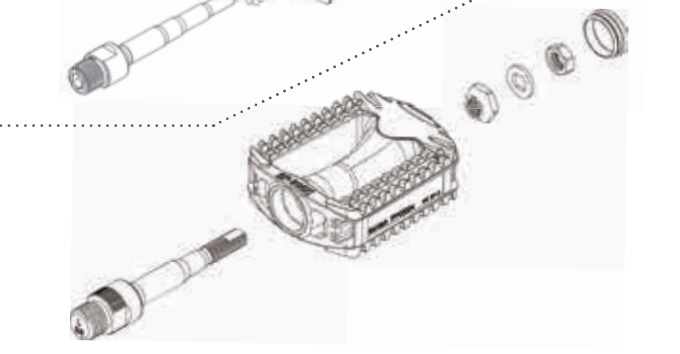
## BC

- **Ball bearings, classic type**  
heat-treated boron steel axle



## NB

- **Adjustable Non-Ball bearing type**  
heat-treated boron steel axle





# CONTENT

- 10 - 24** UNION Pedals
- 25 - 27** Selle San Remo Saddles
- 28 - 31** SSR Pro Saddles
- 32 - 33** UNION Steel & Aluminium Hubs
- 34 - 36** UNION Dynamos & Dynamo Lights
- 37 - 38** UNION Battery Lights
- 39** UNION Li-Ion Battery Lights
- 40 - 43** UNION Cycle Computers
- 44 - 47** BikeTool Bicycle Tools
- 48 - 49** UNION Bicycle Chains
- 50 - 56** UNION Gear Hangers
- 57 - 59** UNION Disc Brake Pads
- 60 - 61** UNION Brake Shoes
- 62 - 63** UNION Cable & Wire
- 64 - 71** UNION MTB / Trekking Parts

 **UNION**<sup>®</sup>  **xerama**  **BIKETOOL**

 **SSR Pro** *Selle San Remo*

### AXLE

- BR** Boron steel
- CM** CrMo steel
- T** Titanium

### REFLECTOR

- BS** Approved
- TW** Non-Approved
- SI** Screw-in
- SO** Snap-on
- OB** Snap-on & build-in

### BEARING

- TCS** Thrust+Cartridge System
- NCS** Needle+Cartridge System
- CBS** Cartridge+Bushing System
- LBA** Lightweight Ball type, adjustable
- BA** Ball type, adjustable
- BC** Ball type, classic
- NB** Non-Ball type, adjustable
- BL** Ball less

### BODY

- SA** Sand blasting+Anodized color
- SD** Sand blasting+ED black
- ED** ED black
- LP** Liquid painting color
- CNC** Body corner with CNC processed

### CAGE

- AL** Aluminium
- ST** Steel
- NL** Nylon
- AN** Anodized
- BA** Black anodized
- BC** Black coated
- PC** Powder-coated
- CNC** CNC processed

## SP-1210 BLACK

**CM** **TCS** **SA**



<b>Body:</b>	AL-6061 Extrusion T6
<b>Size:</b>	104 × 100mm
<b>Weight:</b>	304 gram/pair



SILVER



ORANGE



XTR GREY



BLUE



GREEN



RED

## SP-1300 SILVER

**CM** **TCS** **SA**



<b>Body:</b>	AL-6061 Extrusion T6
<b>Size:</b>	110 × 100mm
<b>Weight:</b>	416 gram/pair



BLACK



ORANGE



XTR GREY



BLUE



GREEN



RED

### SP-1070

CM NCS SA



Body:	AL-6061 Extrusion T6
Size:	95 × 100mm
Weight:	342 gram/pair

### SP-1080

CM NCS SA



Body:	AL-6061 Extrusion T6
Size:	101 × 100mm
Weight:	336 gram/pair

### SP-1082

CM NCS SA



Body:	AL-6061 Extrusion T6
Size:	111 × 100mm
Weight:	334 gram/pair

### SP-1090

CM NCS SA



Body:	AL-6061 Extrusion T6
Size:	97 × 100mm
Weight:	300 gram/pair

### SP-1091

CM CBS SD



Body:	One piece aluminium
Size:	97 × 100mm
Weight:	347 gram/pair

### SP-2160

CM CBS SD BS SO



Body:	One piece aluminium
Size:	101 × 87mm
Weight:	334 gram/pair

### SP-1055

CM CBS SA BS SO



Body:	AL-6061 Extrusion T6
Size:	100 × 73mm
Weight:	250 gram/pair

### SP-2712

CM CBS SA BS SO



Body:	AL-6061 Extrusion T6
Size:	90 × 59mm
Weight:	204 gram/pair

### SP-2714

CM CBS BS SO



Body:	AL-6061 Extrusion T6
Size:	95 × 73mm
Weight:	234 gram/pair

### SP-2600

CM CBS SD CNC BS SO



**Body:** One piece aluminium & CNC side  
**Size:** 102 x 78mm  
**Weight:** 290 gram/pair

### SP-2611

CM CBS BS SI or SO

AL BA



**Body:** Aluminium with cage  
**Size:** 107 x 81mm  
**Weight:** 287 gram/pair

### SP-2661

CM CBS BS SI or SO

AL BA



**Body:** Aluminium with cage  
**Size:** 102 x 76mm  
**Weight:** 250 gram/pair

### SP-2671

CM CBS BS SI or SO

AL BA



**Body:** Aluminium with cage  
**Size:** 88 x 76mm  
**Weight:** 252 gram/pair

### SP-2612

BR LBA BS SI or SO

AL BA



**Body:** Aluminium with cage  
**Size:** 107 x 81mm  
**Weight:** 283 gram/pair

### SP-2662

BR LBA BS SI or SO

AL BA



**Body:** Aluminium with cage  
**Size:** 102 x 76mm  
**Weight:** 272 gram/pair

### SP-2672

BR LBA BS SI or SO

AL BA



**Body:** Aluminium with cage  
**Size:** 88 x 76mm  
**Weight:** 245 gram/pair

### SP-1092

BR LBA SD



**Body:** One piece aluminium  
**Size:** 97 x 100mm  
**Weight:** 350 gram/pair

### SP-600

BR LBA SD CNC BS SO



**Body:** One piece aluminium & CNC side  
**Size:** 102 x 78mm  
**Weight:** 274 gram/pair

## SP-610

BR BA SD CNC BS or TW SO

## SP-610 BLACK

BR BA SD BS or TW SO



<b>Body:</b>	One piece aluminium & CNC side(SP-610) One piece aluminium(SP-610 Black)
<b>Size:</b>	105 × 81mm
<b>Weight:</b>	374 gram/pair

## SP-610 SILVER

BR BA BS or TW SO



<b>Body:</b>	One piece aluminium
<b>Size:</b>	105 × 81mm
<b>Weight:</b>	374 gram/pair

## SP-510 BLACK

BR BA ED BS or TW SO



<b>Body:</b>	One piece aluminium
<b>Size:</b>	105 × 79mm
<b>Weight:</b>	368 gram/pair

## SP-510 SILVER

BR BA BS or TW SO



<b>Body:</b>	One piece aluminium
<b>Size:</b>	105 × 79mm
<b>Weight:</b>	368 gram/pair

## SP-120

BR BA BS or TW SO



<b>Body:</b>	One piece aluminium (different color options)
<b>Size:</b>	100 × 98mm
<b>Weight:</b>	470 gram/pair

## SP-102

BR BA BS SO



<b>Body:</b>	One piece aluminium (different color options)
<b>Size:</b>	108 × 102mm
<b>Weight:</b>	434 gram/pair

## SP-108

BR BA BS or TW



<b>Body:</b>	One piece aluminium
<b>Size:</b>	111 × 115mm
<b>Weight:</b>	518 gram/pair

## SP-311

BR BA BS SI or SO

ST PC or AL AN



<b>Body:</b>	Aluminium with cage
<b>Size:</b>	102 × 63mm
<b>Weight:</b>	360 gram/pair

## SP-910

BR BA BS SI or SO

ST PC or AL AN



<b>Body:</b>	Aluminium with cage
<b>Size:</b>	102 × 63mm
<b>Weight:</b>	370 gram/pair

### SP-931

BR BA BS SI or SO  
ST PC or AL AN



**Body:** PP  
**Size:** 102 × 79mm  
**Weight:** 316 gram/pair

### SP-931T

BR BA BS SI or SO  
ST PC or AL AN



**Body:** PP  
**Size:** 102 × 79mm  
**Weight:** 316 gram/pair

### SP-932

BR BA BS SI or SO  
ST PC or AL AN



**Body:** PP  
**Size:** 102 × 68mm  
**Weight:** 316 gram/pair

### SP-933N

BR BA BS SI or SO  
ST PC or AL AN



**Body:** PP  
**Size:** 102 × 68mm  
**Weight:** 320 gram/pair

### SP-940

BR BA BS  
ST PC or AL AN



**Body:** PP  
**Size:** 105 × 64mm  
**Weight:** 320 gram/pair

### SP-941

BR BA BS  
ST PC or AL AN



**Body:** PP  
**Size:** 102 × 64mm  
**Weight:** 320 gram/pair

### SP-942

BR BA BS  
ST PC or AL AN



**Body:** PP  
**Size:** 102 × 64mm  
**Weight:** 320 gram/pair  
**Option:** SP-943 (toe-clip attachable)

### SP-941 3 IN 1



• Pedal with MT-11 Toe-clip & Nylon strap assembled



### SP-828

BR LBA BS



**NEW**

<b>Body:</b>	Aluminium with PP and non-slip inlay
<b>Size:</b>	111 x 90mm
<b>Weight:</b>	516 gram/pair

### SP-825 BLACK

BR LBA ED BS



<b>Body:</b>	Aluminium with PP and non-slip inlay
<b>Size:</b>	111 x 80mm
<b>Weight:</b>	388 gram/pair

### SP-823

BR LBA BS



<b>Body:</b>	Aluminium with PP and non-slip inlay
<b>Size:</b>	103 x 78 x 26mm
<b>Weight:</b>	291 gram/pair

### SP-2828 BLACK

CM CBS ED BS



**NEW**

<b>Body:</b>	Aluminium with PP and non-slip inlay
<b>Size:</b>	111 x 90mm
<b>Weight:</b>	504 gram/pair

### SP-2825

CM CBS BS



<b>Body:</b>	Aluminium with PP and non-slip inlay
<b>Size:</b>	111 x 80mm
<b>Weight:</b>	375 gram/pair

### SP-2823 BLACK

CM CBS ED BS



<b>Body:</b>	Aluminium with PP and non-slip inlay
<b>Size:</b>	104 x 78 x 26mm
<b>Weight:</b>	280 gram/pair

### SP-2811

CM CBS BS



<b>Body:</b>	Aluminium with non-slip inlay
<b>Size:</b>	108 x 69mm
<b>Weight:</b>	376 gram/pair

### SP-811

BR BA BS or TW



<b>Body:</b>	Aluminium with non-slip inlay
<b>Size:</b>	108 x 69mm
<b>Weight:</b>	398 gram/pair

### SP-810

BR BA BS or TW



<b>Body:</b>	Aluminium with non-slip inlay
<b>Size:</b>	103 x 69mm
<b>Weight:</b>	541 gram/pair

## SP-827

BR LBA BS or TW



**NEW**

<b>Body:</b>	PP with non-slip inlay
<b>Size:</b>	111 x 90mm
<b>Weight:</b>	364 gram/pair

## SP-822

BR LBA BS or TW



<b>Body:</b>	PP with non-slip inlay
<b>Size:</b>	103 x 78 x 26mm
<b>Weight:</b>	248 gram/pair

## SP-813

BR BA BS or TW



<b>Body:</b>	PP with non-slip inlay
<b>Size:</b>	110 x 69mm
<b>Weight:</b>	290 gram/pair

## SP-807

BR BA BS or TW



<b>Body:</b>	PP (black or grey) with non-slip inlay (grey or black)
<b>Size:</b>	108 x 74mm
<b>Weight:</b>	366 gram/pair

## SP-808

BR BA BS or TW



<b>Body:</b>	PP (black or grey) with non-slip inlay (grey or black)
<b>Size:</b>	108 x 78mm
<b>Weight:</b>	368 gram/pair

## SP-809

BR BA BS or TW



<b>Body:</b>	PP (black) with non-slip inlay (grey)
<b>Size:</b>	108 x 78mm
<b>Weight:</b>	370 gram/pair

## SP-888

BR BA BS or TW



<b>Body:</b>	Aluminium with PP and non-slip inlay
<b>Size:</b>	104 x 68mm
<b>Weight:</b>	425 gram/pair

## SP-868

BR BA BS or TW



<b>Body:</b>	Aluminium with PVC
<b>Size:</b>	108 x 69mm
<b>Weight:</b>	500 gram/pair

## SP-727

BR LBA BS or TW



<b>Body:</b>	PP two tone
<b>Size:</b>	111 x 90mm
<b>Weight:</b>	349 gram/pair



### SP-872N

BR BA or NB or BL  
BS or TW



Body:	PP
Size:	109 × 91mm
Weight:	286 gram/pair

### SP-875

BR BA or NB  
BS or TW



Body:	PP
Size:	108 × 84mm
Weight:	292 gram/pair

### SP-877

BR BA or NB or BL  
BS or TW



Body:	PP
Size:	110 × 79mm
Weight:	318 gram/pair

### SP-878

BR BA or NB or BL  
BS or TW



Body:	PP
Size:	109 × 91mm
Weight:	298 gram/pair

### SP-698

BR BA or BL BS or TW



Body:	PP
Size:	114 × 83mm
Weight:	279 gram/pair

### SP-202

BR BA BS or TW



Body:	PP
Size:	104 × 90mm
Weight:	324 gram/pair

### SP-300

BR BA or BL BS or TW



Body:	PP
Size:	108 × 69mm
Weight:	322 gram/pair

### SP-301

BR BA BS or TW



Body:	PP
Size:	113 × 74mm
Weight:	324 gram/pair

**NEW**

### SP-305

BR BA BS or TW



Body:	PP
Size:	108 × 69mm
Weight:	284 gram/pair

### SP-460

BR BA BS or TW



<b>Body:</b>	PP
<b>Size:</b>	110 × 100mm
<b>Weight:</b>	305 gram/pair

### SP-450

BR BA BS or TW



<b>Body:</b>	PP
<b>Size:</b>	110 × 100mm
<b>Weight:</b>	330 gram/pair

### SP-420

CM LBA BS



<b>Body:</b>	Nylon + 20% Glass Fiber
<b>Size:</b>	110 × 100mm
<b>Weight:</b>	338 gram/pair

### SP-410

BR BA or NB  
BS or TW



<b>Body:</b>	PP
<b>Size:</b>	112 × 100mm
<b>Weight:</b>	352 gram/pair

### SP-400

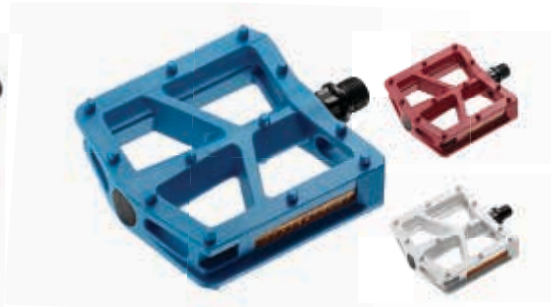
BR BA BS or TW



<b>Body:</b>	PP
<b>Size:</b>	110 × 100mm
<b>Weight:</b>	336 gram/pair

### SP-420 COLOR

CM LBA BS



<b>Body:</b>	Nylon + 20% Glass Fiber (different color options)
<b>Size:</b>	110 × 100mm
<b>Weight:</b>	338 gram/pair

### SP-700

BR BA or BL  
BS or TW



<b>Body:</b>	PP
<b>Size:</b>	111 × 86mm
<b>Weight:</b>	325 gram/pair

### SP-767

BR BA or BL  
BS or TW



<b>Body:</b>	PP
<b>Size:</b>	113 × 87mm
<b>Weight:</b>	337 gram/pair

### SP-320

BR BA  
BS or TW



<b>Body:</b>	PP
<b>Size:</b>	125 × 78mm
<b>Weight:</b>	386 gram/pair

### SP-835

BR BA BS or TW

**NEW**



<b>Body:</b>	PP with non-slip inlay (grey) with additional side reflector
<b>Size:</b>	97 x 72mm
<b>Weight:</b>	334 gram/pair

### SP-834

BR BA BS or TW

**NEW**



<b>Body:</b>	PP with non-slip inlay (grey)
<b>Size:</b>	97 x 72mm
<b>Weight:</b>	332 gram/pair

### SP-833

BR BA BS or TW



<b>Body:</b>	PP with non-slip inlay (grey) with additional side reflector
<b>Size:</b>	97 x 72mm
<b>Weight:</b>	320 gram/pair

### SP-831

BR BA BS or TW



<b>Body:</b>	PP with non-slip inlay (grey)
<b>Size:</b>	97 x 72mm
<b>Weight:</b>	320 gram/pair

### SP-201

BR BA BS or TW



<b>Body:</b>	PP
<b>Size:</b>	87 x 70mm
<b>Weight:</b>	267 gram/pair

### SP-481

BR BA or NB or BL  
BS or TW



<b>Body:</b>	PP
<b>Size:</b>	98 x 64mm
<b>Weight:</b>	278 gram/pair

### SP-690

BR BA or NB or BL  
BS or TW



<b>Body:</b>	PP
<b>Size:</b>	95 x 64mm
<b>Weight:</b>	271 gram/pair

### SP-695K

BR BA or NB or BL  
BS or TW



<b>Body:</b>	PP (optional w/o reflector)
<b>Size:</b>	91 x 65mm
<b>Weight:</b>	270 gram/pair

### SP-698K

BR BA or BL  
BS or TW



<b>Body:</b>	PP
<b>Size:</b>	98 x 68mm
<b>Weight:</b>	248 gram/pair

### SP-687H

BR BC BS or TW



**Body:** steel (galvanized ) & PVC mixture  
**Size:** 117 × 76mm  
**Weight:** 572 gram/pair

### SP-685H

BR BC BS or TW



**Body:** steel (galvanized ) & PVC mixture  
**Size:** 118 × 79mm  
**Weight:** 562 gram/pair

### SP-689

BR BC BS



**Body:** steel (galvanized ) & PVC mixture  
**Size:** 118 × 63mm  
**Weight:** 540 gram/pair

### SP-687H WHITE

BR BC BS or TW



**Body:** steel (galvanized ) & PVC mixture  
**Size:** 117 × 76mm  
**Weight:** 572 gram/pair

### SP-685H WHITE

BR BC BS or TW



**Body:** steel (galvanized ) & PVC mixture  
**Size:** 118 × 79mm  
**Weight:** 562 gram/pair

### SP-689 WHITE

BR BC BS



**Body:** steel (galvanized ) & PVC mixture  
**Size:** 118 × 63mm  
**Weight:** 540 gram/pair

### 261

BR BC



**Body:** steel (galvanized ) & PVC mixture  
**Size:** 122 × 58mm  
**Weight:** 625 gram/pair

### 265H

BR BC



**Body:** steel (galvanized ) & PVC mixture  
**Size:** 118 × 72mm  
**Weight:** 560 gram/pair

### SP-689 BROWN

BR BC BS



**Body:** steel (galvanized ) & PVC mixture  
**Size:** 118 × 63mm  
**Weight:** 540 gram/pair

## SP-151

BR BA BS  
NL



<b>Function:</b>	foldable to both sides
<b>Body:</b>	Aluminium body/Nylon cage
<b>Size:</b>	110 × 70mm
<b>Weight:</b>	425 gram/pair

## SP-153

BR BA BS  
NL



<b>Function:</b>	foldable to both sides
<b>Body:</b>	Aluminium body/Nylon cage with non-slip inlay
<b>Size:</b>	110 × 70mm
<b>Weight:</b>	470 gram/pair



## SP-5600

CM or T CBS



### Clipless low profile "mud free" MTB pedal

**Body:** Aluminium, black coated  
**Size:** 81 × 65mm  
**Weight:** 298 (CrMo) gram/pair  
 254 (Titanium) gram/pair  
**Cleat:** UM-1 inclusive, Shimano 51 compatible

## SP-5600 RED

CM or T CBS



### Clipless low profile "mud" MTB pedal

**Body:** Aluminium, red coated  
 option: white coated  
**Size:** 81 × 65mm  
**Weight:** 298 (CrMo) gram/pair  
 254 (Titanium) gram/pair  
**Cleat:** UM-1 inclusive, Shimano 51 compatible

## SP-5650

CM LBA



### Clipless low profile "mud free" MTB pedal

**Body:** Aluminium, black coated  
**Size:** 82 × 59mm  
**Weight:** 334 gram/pair  
**Cleat:** UM-1 inclusive, Shimano 51 compatible

## SP-5400

CM CBS



### Clipless RACE pedal

**Body:** Aluminium, polished  
**Size:** 80 × 65mm  
**Weight:** 310 gram/pair  
**Cleat:** UM-1 inclusive, Shimano 51 compatible

## SP-5500

CM CBS



### Dual-Function Trekking-Bike pedal

**Body:** Aluminium, silver coated  
**Size:** 85 × 84mm  
**Weight:** 352 gram/pair  
**Cleat:** UM-1 inclusive, Shimano 51 compatible

## SP-5750

CM LBA



### Clipless low profile RACE pedal

**Body:** Aluminium, silver coated  
**Size:** 84 × 91mm  
**Weight:** 294 gram/pair  
**Cleat:** UR-5 (Look ARC compatible) inclusive

## SP-5700

CM or T CBS



### Clipless low profile RACE pedal

**Body:** Aluminium, high polished  
**Size:** 80 × 92mm  
**Weight:** 294 (CrMo) gram/pair  
 250 (Titanium) gram/pair  
**Cleat:** UR-5 (Look ARC compatible) inclusive

## SP-5700K

CM or T CBS



### Clipless low profile RACE pedal, for use in combination with innovative URK cleats

**Body:** Aluminium, silver coated  
**Size:** 78 × 91mm  
**Weight:** 326 (CrMo) gram/pair  
 282 (Titanium) gram/pair  
**Cleat:** URK-6 (Look KEO compatible) inclusive

## SP-5700K BLACK

CM or T CBS



### Clipless low profile RACE pedal, for use in combination with innovative URK cleats

**Body:** Aluminium, black coated  
 option: white or red coated  
**Size:** 78 × 91mm  
**Weight:** 326 (CrMo) gram/pair  
 282 (Titanium) gram/pair  
**Cleat:** URK-6 (Look KEO compatible) inclusive

## SP-5800

CM CBS BS AL BA



**Dual-Function Trekking-Bike pedal, with "non slip" elastomer tread**

**Body:** Aluminium, ball polished  
**Size:** 101 × 65mm  
**Weight:** 354 gram/pair  
**Cleat:** UM-1 inclusive, Shimano 51 compatible

## SP-5850

CM LBA BS AL BA



**Dual-Function Trekking-Bike pedal, with "non slip" elastomer tread**

**Body:** Aluminium, ball polished  
**Size:** 102 × 65mm  
**Weight:** 372 gram/pair  
**Cleat:** UM-1 inclusive, Shimano 51 compatible

## SP-5900

CM CBS AL BA



**Dual-Function MTB pedal, with reinforced axle and bearings**

**Body:** Aluminium, ball polished  
**Size:** 105 × 65mm  
**Weight:** 446 gram/pair  
**Cleat:** UM-1 inclusive, Shimano 51 compatible

## UM1



- MTB cleat, black coated, with improved mud clearance
- Shimano 51 compatible
- 4° lateral float
- Set with 2 cleats / 2 washers / 4 screws

**Material:** CrMo (SCM-415)

**Weight:** 54 gram/set

## UR5



- Racing cleat, "float", red
- Look "ARC" compatible
- 9° lateral float
- Set with 2 cleats / 6 washers / 6 screws

**Material:** reinforced Nylon

**Weight:** 88 gram/set

## UR6



- Racing cleat, black
- Look "ARC" compatible
- 3° lateral float
- Set with 2 cleats / 6 washers / 6 screws

**Material:** reinforced Nylon

**Weight:** 88 gram/set

## URK-0



- Racing cleat, Look KEO compatible
- Fix, (0° lateral float) / black
- Set with 2 cleats / 6 washers / 6 screws

**Material:** reinforced Nylon & TPR

**Weight:** 52 gram/set

## URK-6



- Racing cleat, Look KEO compatible
- 6° lateral float / red
- Set with 2 cleats / 6 washers / 6 screws

**Material:** reinforced Nylon & TPR

**Weight:** 52 gram/set

## URK-9



- Racing cleat, Look KEO compatible
- 9° lateral float / gray
- Set with 2 cleats / 6 washers / 6 screws

**Material:** reinforced Nylon & TPR

**Weight:** 52 gram/set

## SP-250

BR BA



<b>With horizontal balance weight</b>	
<b>Function:</b>	non slip home trainer pedal
<b>Body:</b>	PP with non-slip inlay (grey)
<b>Size:</b>	137 × 123mm
<b>Weight:</b>	660 gram/pair

## SP-240

BR BA



<b>With horizontal balance weight</b>	
<b>Function:</b>	home trainer pedal
<b>Body:</b>	PP
<b>Size:</b>	137 × 123mm
<b>Weight:</b>	640 gram/pair

## SP-209

BR BA



<b>Function:</b>	home trainer pedal
<b>Body:</b>	PP
<b>Size:</b>	100 × 120mm
<b>Weight:</b>	750 gram/pair

## MT-1



<b>• For use with straps</b>	
<b>Function:</b>	MTB/ATB toe clip
<b>Material:</b>	nylon

## MT-2



<b>• For strapless use</b>	
<b>Function:</b>	MTB/ATB toe clip
<b>Material:</b>	nylon

## MT-11



<b>• For use with straps</b>	
<b>Function:</b>	MTB/ATB toe clip
<b>Material:</b>	nylon
<b>Reflector:</b>	integrated (approved, screw-in)

## STRAP-W



<b>Function:</b>	for use with MT-11 or MT-1 toe clip
<b>Material:</b>	nylon woven (super flexible)
<b>Size:</b>	12.5 × 450mm

## STRAP-N



<b>Function:</b>	for use with MT-11 or MT-1 toe clip
<b>Material:</b>	PP woven
<b>Size:</b>	12.5 × 450mm

## FG-1

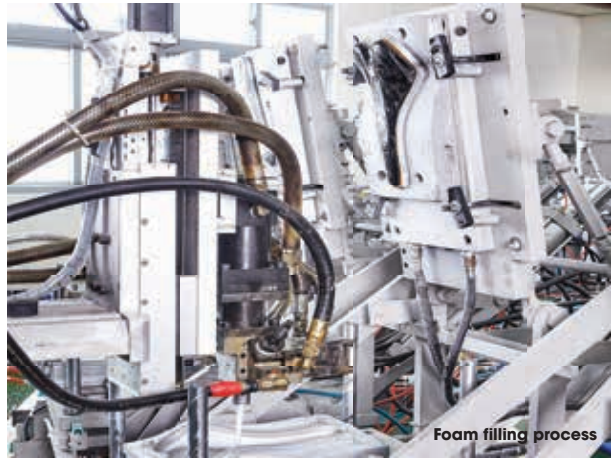


<b>• Foot Guard</b>
<b>• Made of high quality PVC</b>
<b>• Attachable to any strap</b>





Automated saddle base injection



Foam filling process



High Frequency cover decoration

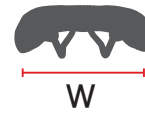


Printing durability test

BIKE | **ATB** ATB  
**MTB** MTB  
**RB** Road bike  
**LB** Lady bike

**DB** Downhill bike  
**CB** Commuter bike  
**ORB** Off road bike  
**EB** E-bike

**KID** Kids bike



### VIENNA

**EB** **CB** **VU** **ES** **EBR**

**Top:** PU  
**Base:** black PP + Glass fiber  
**Size:** 252 × 222mm  
**Weight:** 519 (steel) gram/pc



### LUGANO

**EB** **CB** **VU** **ES** **EBR**

**Top:** PU  
**Base:** black PP + Glass fiber  
**Size:** 255 × 231mm  
**Weight:** 896 (steel) gram/pc



### LINDAU

**EB** **CB** **VU** **EBR**

**Top:** PU  
**Base:** black PP  
**Size:** 258 × 190mm  
**Weight:** 443 (steel) gram/pc



### VARESE

**EB** **CB** **VU** **GEL** **EBR**

**NEW**

**Top:** PU  
**Base:** black PP  
**Size:** 265 × 200mm  
**Weight:** 450 (steel) gram/pc



### DONAU

**CB** **HD** **EBR**

**Top:** PU  
**Base:** black PP  
**Size:** 255 × 190mm  
**Weight:** 439 (steel) gram/pc



### MOSEL

**CB** **HD** **EBR**

**Top:** PU  
**Base:** black PP + Glass fiber  
**Size:** 275 × 160mm  
**Weight:** 395 (steel) gram/pc



### TAUNUS

**ATB** **MTB** **HD** **EBR**

**Top:** PU  
**Base:** black PP  
**Size:** 250 × 150mm  
**Weight:** 422 (steel) gram/pc



### 2785B

**CB** **HR** **SR** **DS** **CS**

**Top:** Vinyl, Emerald or Lycra  
**Base:** black PP  
**Size:** 265 × 212mm  
**Packing:** 20 pcs./carton

Brown cover available



### 2749

**CB** **HR** **SR** **SP** **CS**

**Top:** Vinyl, Emerald or Lycra  
**Base:** black PP  
**Size:** 254 × 203mm  
**Packing:** 25 pcs./carton



### 2791

**CB** **HR** **SR** **DS** **CS**

**Top:** Vinyl, Emerald or Lycra  
**Base:** black PP  
**Size:** 267 × 241mm  
**Packing:** 16 pcs./carton



**FOAM**

- GEL w / Gel inlay
- HD High density foam
- HR High Resilience foam padded
- CP Cutting foam padded
- VU Vacuum

**RAIL**

- SR Ø7mm steel rail
- ES Elastomer
- SP Spring
- SPS Spring w / safety cover

- DS Double spring
- ST Satin steel rail
- EBR ED black steel rail
- CLAMP** CS Clamp set

**3010**

KID CP SR CS

<b>Top:</b>	Vinyl
<b>Base:</b>	black PP
<b>Size:</b>	237 × 142mm
<b>Packing:</b>	20 pcs./carton



**3020**

KID HR SR CS

<b>Top:</b>	Vinyl
<b>Base:</b>	black PP
<b>Size:</b>	225 × 136mm
<b>Packing:</b>	20 pcs./carton



**3110**

ATB MTB HR SR CS

<b>Top:</b>	Vinyl
<b>Base:</b>	black PP
<b>Size:</b>	260 × 160mm
<b>Packing:</b>	20 pcs./carton



**3120**

ATB MTB HR SR CS

<b>Top:</b>	Vinyl
<b>Base:</b>	black PP
<b>Size:</b>	250 × 150mm
<b>Packing:</b>	20 pcs./carton



**3130**

ATB MTB HR SR CS

<b>Top:</b>	Vinyl
<b>Base:</b>	black PP
<b>Size:</b>	266 × 148mm
<b>Packing:</b>	20 pcs./carton



**3140**

ATB MTB HR SR CS

<b>Top:</b>	Vinyl (3140)
<b>Base:</b>	black PP
<b>Size:</b>	250 × 190mm
<b>Packing:</b>	20 pcs./carton



**3145 GEL**

ATB MTB HR GEL SR CS

<b>Top:</b>	PU (3145)
<b>Base:</b>	black PP
<b>Size:</b>	250 × 190mm
<b>Packing:</b>	20 pcs./carton

**3220**

CB HR SR SPS CS

**3225 GEL**

CB HR GEL SR SPS CS

<b>Top:</b>	Vinyl (3220)
<b>Base:</b>	black PP
<b>Size:</b>	252 × 225mm
<b>Packing:</b>	20 pcs./carton



<b>Top:</b>	PU (3225)
<b>Base:</b>	black PP
<b>Size:</b>	252 × 225mm
<b>Packing:</b>	20 pcs./carton

Brown cover available

**3240**

CB HR SR ES CS

**3245 GEL**

CB HR GEL SR ES CS

<b>Top:</b>	Vinyl (3240)
<b>Base:</b>	black PP
<b>Size:</b>	251 × 219mm
<b>Packing:</b>	20 pcs./carton



Brown cover available

**3250**

CB HR SR ES CS

<b>Top:</b>	Vinyl
<b>Base:</b>	black PP
<b>Size:</b>	252 × 220mm
<b>Packing:</b>	20 pcs./carton



**3255 GEL**

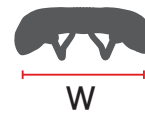
CB HR GEL SR ES CS

<b>Top:</b>	Vinyl
<b>Base:</b>	black PP
<b>Size:</b>	252 × 220mm
<b>Packing:</b>	20 pcs./carton



BIKE	ATB	ATB
	MTB	MTB
	RB	Road bike
	LB	Lady bike

DB	Downhill bike
CB	Commuter bike
ORB	Off road bike
EB	E-bike



## VENTOUX

RB SL CNT

<b>Top:</b>	PU + Micro fiber
<b>Base:</b>	black Nylon + Glass fiber
<b>Size:</b>	285 × 125mm
<b>Weight:</b>	199(CrNi/Ti) gram/pc



## VENTOUX WHITE

RB SL CNT

<b>Top:</b>	PU + Micro fiber
<b>Base:</b>	black Nylon + Glass fiber
<b>Size:</b>	285 × 125mm
<b>Weight:</b>	199(CrNi/Ti) gram/pc



## TOURMALET

RB MTB SL CNT

<b>Top:</b>	PU + Micro fiber
<b>Base:</b>	black Nylon + Glass fiber
<b>Size:</b>	280 × 130mm
<b>Weight:</b>	234(CrNi/Ti) gram/pc



## TOURMALET WHITE

RB MTB SL CNT

<b>Top:</b>	PU + Micro fiber
<b>Base:</b>	black Nylon + Glass fiber
<b>Size:</b>	280 × 130mm
<b>Weight:</b>	234(CrNi/Ti) gram/pc



## POGGIO

RB MTB SL CNT

<b>Top:</b>	PU + Micro fiber
<b>Base:</b>	black Nylon + Glass fiber
<b>Size:</b>	290 × 135mm
<b>Weight:</b>	225(CrNi/Ti) gram/pc



## POGGIO WHITE

RB MTB SL CNT

<b>Top:</b>	PU + Micro fiber
<b>Base:</b>	black Nylon + Glass fiber
<b>Size:</b>	290 × 135mm
<b>Weight:</b>	225(CrNi/Ti) gram/pc



## ARIZONA

RB MTB HD S-CM

<b>Top:</b>	PU
<b>Base:</b>	black Nylon + Glass fiber
<b>Size:</b>	290 × 135mm
<b>Weight:</b>	284(CrMo) gram/pc



## ARIZONA WHITE

RB MTB HD S-CM

<b>Top:</b>	PU
<b>Base:</b>	black Nylon + Glass fiber
<b>Size:</b>	290 × 135mm
<b>Weight:</b>	284(CrMo) gram/pc



## AVORIAZ

RB MTB HD S-CM

<b>Top:</b>	PU
<b>Base:</b>	black Nylon + Glass fiber
<b>Size:</b>	295 × 150mm
<b>Weight:</b>	374(CrMo) gram/pc



## AVORIAZ WHITE

RB MTB HD S-CM

<b>Top:</b>	PU
<b>Base:</b>	black Nylon + Glass fiber
<b>Size:</b>	295 × 150mm
<b>Weight:</b>	374(CrMo) gram/pc



FOAM (SL) Super-Light foam  
(HD) High density foam

(GEL) w / Gel inlay  
(VU) Vacuum

RAIL (CNT) CrNi/Ti rail  
(T-CM) Two toned CrMo rail  
(S-CM) Satin CrMo rail

(ST) Satin steel rail  
(EBR) ED black steel rail

## MODANE

RB MTB (HD) (S-CM)

**Top:** PU  
**Base:** black Nylon + Glass fiber  
**Size:** 290 × 135mm  
**Weight:** 285(CrMo) gram/pc



## MODANE WHITE

RB MTB (HD) (S-CM)

**Top:** PU  
**Base:** black Nylon + Glass fiber  
**Size:** 290 × 135mm  
**Weight:** 285(CrMo) gram/pc



## BRAVURA

MTB (HD) (S-CM)

**Top:** PU  
**Base:** black Nylon + Glass fiber  
**Size:** 280 × 135mm  
**Weight:** 280(CrMo) gram/pc



## BRAVURA WHITE

MTB (HD) (S-CM)

**Top:** PU  
**Base:** black Nylon + Glass fiber  
**Size:** 280 × 135mm  
**Weight:** 280(CrMo) gram/pc



## ABRUZZO

MTB (HD) (S-CM)

**Top:** PU  
**Base:** black Nylon + Glass fiber  
**Size:** 280 × 136mm  
**Weight:** 320(CrMo) gram/pc



## ABRUZZO WHITE

MTB (HD) (S-CM)

**Top:** PU  
**Base:** black Nylon + Glass fiber  
**Size:** 280 × 136mm  
**Weight:** 320(CrMo) gram/pc



## ARDÈCHE

RB MTB (HD) (ST)

**Top:** Vinyl  
**Base:** black Nylon + Glass fiber  
**Size:** 290 × 135mm  
**Weight:** 354(steel) gram/pc



## TOSCANA

RB MTB (HD) (ST)

**Top:** Vinyl  
**Base:** black Nylon + Glass fiber  
**Size:** 295 × 150mm  
**Weight:** 414(steel) gram/pc



## JURA

MTB (HD) (ST)

**Top:** Vinyl  
**Base:** black Nylon + Glass fiber  
**Size:** 280 × 135mm  
**Weight:** 320(steel) gram/pc



## PIEMONTE

MTB (HD) (ST)

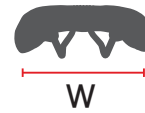
**Top:** Vinyl  
**Base:** black Nylon + Glass fiber  
**Size:** 280 × 136mm  
**Weight:** 360(steel) gram/pc



BIKE

- ATB ATB
- MTB MTB
- RB Road bike
- LB Lady bike

- DB Downhill bike
- CB Commuter bike
- ORB Off road bike
- EB E-bike



### 3438

RB (SL) /CNT

<b>Top:</b>	Micro fiber leather
<b>Size:</b>	285 × 125mm
<b>Weight:</b>	199 (CrNi/Ti) gram/pc



### 3436B

RB ATB (HD) /S-CW

<b>Top:</b>	PU leather
<b>Size:</b>	295 × 150 mm
<b>Weight:</b>	374 (CrMo) gram/pc



### 3432

ATB RB (SL) /CNT

<b>Top:</b>	<ul style="list-style-type: none"> <li>• Micro fiber leather + Kevlar black</li> <li>• High Frequency &amp; hot sealed design</li> </ul>
<b>Size:</b>	275 × 130mm
<b>Weight:</b>	234 (CrNi/Ti) gram/pc



### 3430

DB ORB (HD) /S-CW

<b>Top:</b>	<ul style="list-style-type: none"> <li>• Vinyl white</li> <li>• High Frequency design</li> </ul>
<b>Size:</b>	280 × 130mm
<b>Weight:</b>	309 (CrMo) gram/pc



### 3428

RB (HD) /ST

<b>Top:</b>	PU leather
<b>Size:</b>	293 × 135mm
<b>Weight:</b>	329 (steel) gram/pc



### 3426

ATB RB (HD) /S-CW

<b>Top:</b>	<ul style="list-style-type: none"> <li>• Kevlar black w/embroidery logo</li> <li>• With anatomic hole design</li> </ul>
<b>Size:</b>	275 × 135mm
<b>Weight:</b>	304 (CrMo) gram/pc



### 3426A

ATB RB /T-CW

<b>Top:</b>	<ul style="list-style-type: none"> <li>• Micro fiber leather</li> <li>• With Frequency &amp; sealed design</li> <li>• With anatomic hole design</li> </ul>
<b>Size:</b>	275 × 135mm
<b>Weight:</b>	247 (CrMo) gram/pc



### 3426C

ATB RB (HD) /S-CW

<b>Top:</b>	Micro fiber leather
<b>Size:</b>	278 × 135mm
<b>Weight:</b>	284 (CrMo) gram/pc



### 3424A

ATB RB (HD) /T-CW

<b>Top:</b>	<ul style="list-style-type: none"> <li>• Environmental friendly TPU</li> <li>• With Frequency &amp; sealed design</li> </ul>
<b>Size:</b>	280 × 130mm
<b>Weight:</b>	296 (CrMo) gram/pc



### 3412

RB (HD) /EBR

<b>Top:</b>	Vinyl
<b>Size:</b>	275 × 140 mm
<b>Weight:</b>	336 (ED BK steel) gram/pc



FOAM (SL) Super-Light foam  
(HD) High density foam

(GEL) w / Gel inlay  
(VU) Vacuum

RAIL (CNT) CrNi/Ti Aluminium rail  
(T-CM) Two toned CrMo rail  
(S-CM) Satin CrMo rail

(ST) Satin steel rail  
(EBR) ED black steel rail

### 3178

(ATB) (HD) (S-CM)

Top:	Micro fiber leather
Size:	274 × 135mm
Weight:	280 (CrMo) gram/pc



### 3170G

(ATB) (HD) (ST)

Top:	Vinyl
Size:	280 × 136 mm
Weight:	352 (steel) gram/pc



### 3142

(MTB) (HD) (EBR)

Top:	Vinyl
Size:	246 × 150 mm
Weight:	330 (ED BK steel) gram/pc



### 3132

(MTB) (HD) (EBR)

Top:	Vinyl
Size:	275 × 143 mm
Weight:	338 (ED BK steel) gram/pc



### 3380

(ATB) (MTB) (GEL)

With GEL inlay inside, for shock absorbing and comfortable riding.

Size:	270 × 165mm
Weight:	270 g



### 3385

(CB) (GEL)

With GEL inlay inside, for shock absorbing and comfortable riding.

Size:	260 × 235mm
Weight:	340 g



### SC-50

Aluminium seat clamp

Material:	cold forged AL 6061, T6
Diameter:	ø 28.6 / 31.8 / 34.9mm
Color:	black or silver
Weight:	20 gram



### SC-55

Aluminium seat clamp, with stainless steel screw

Material:	cold forged AL 6061, T6
Diameter:	ø 31.8 / 34.9mm
Color:	black or silver
Weight:	32 gram



### SC-60

Aluminium seat clamp, with stainless steel screw

Material:	cold forged AL 6061, T6
Diameter:	ø 28.6 / 31.8 / 34.9mm
Color:	black
Weight:	21 gram



### SC-65

Aluminium seat clamp, with stainless steel screw

Material:	cold forged AL 6061, T6
Diameter:	ø 31.8 / 34.9mm
Color:	black or silver
Weight:	26 gram



### SC-70QR

Aluminium seat clamp, with quick release bolt

Material:	cold forged AL 6061, T6
Diameter:	ø 28.6 / 31.8 / 34.9mm
Color:	black or silver
Weight:	51 gram

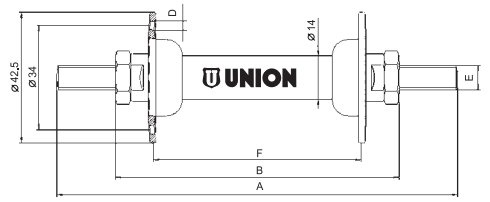


### QR-650

Aluminium Quick Release

Material:	AL 6061 lever and nut, Cr-Mo skewer
Length:	50mm
Color:	black or silver
Weight:	39 gram

## 410

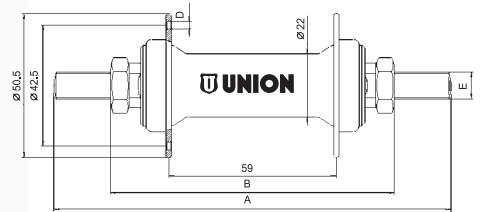


Front hub type	Weight (gram)	Number of spoke holes	A Axle length (Mm)	B Over lock nut dimension (Mm)	Free axle end Right + left (Mm)	D Spoke hole Diameter (Mm)	E Axle thread	F Flange distance (Mm)
	w/o nuts							
410-01	153	16	120	80	20	2.8 +/-0.1	5/16" x 26TPI	56.5
410-02	166	16	130	92	19	2.8 +/-0.1	5/16" x 26TPI	56.5
410-03	164	16	130	92	19	2.8 +/-0.1	5/16" x 26TPI	67.5
410-04	163	20	130	92	19	2.8 +/-0.1	5/16" x 26TPI	67.5
410-05	160	36	130	92	19	2.8 +/-0.1	5/16" x 26TPI	67.5
410-06	162	28	130	92	19	2.8 +/-0.1	5/16" x 26TPI	67.5
412-01	195	36	140	100	20	2.8 +/-0.1	3/8" x 26TPI	67.5

## 420

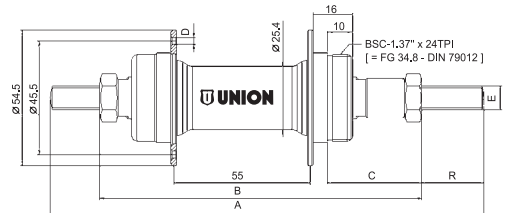


## 420QR



Front hub type	Weight (gram)	Number of spoke holes	A Axle length (mm)	B Over lock nut dimension (mm)	Free axle end right + left (mm)	D Spoke hole diameter (mm)	E Axle thread	F Flange distance (mm)
	w/o nuts							
420-01	248	36	140	100	20	2.8 +/-0.1	3/8" x 26TPI	59
420-01 QR	267	36	108	100	4	2.8 +/-0.1	3/8" x 26TPI	59

## 463

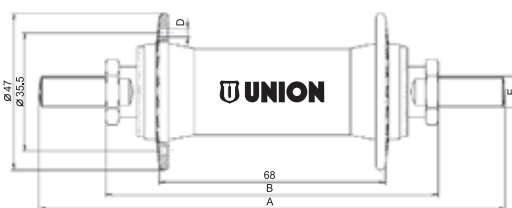


All STEEL hubs also available in black

Rear hub type	Weight (gram)	Number of spoke holes	A Axle length (mm)	B Over lock nut dimension (mm)	C Sprocket clearance (mm)	R Free Axle right (mm)	D Spoke hole diameter (mm)	E Axle thread
	w/o nuts							
463-7	370	36	175	130	38	25	2.8 +/-0.1	3/8" x 26TPI
463-7 CrMo	370	36	175	130	38	25	2.8 +/-0.1	3/8" x 26TPI
463-8	372	36	180	135	40	25	2.8 +/-0.1	3/8" x 26TPI
463-8 CrMo	372	36	180	135	40	25	2.8 +/-0.1	3/8" x 26TPI



## 512



## 512QR



Rubber cap

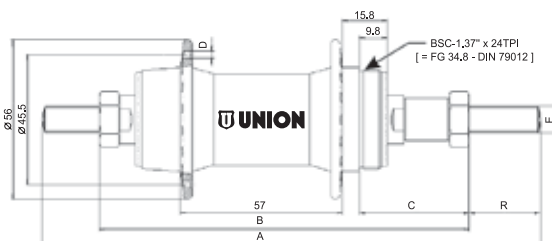
Safety washer

Flange nut

Cap nut 17mm total height

Front hub type	Weight (gram)	Number of spoke holes	A Axle length (mm)	B Over lock nut dimension (mm)	Free axle right (mm)	D Spoke hole diameter (mm)	E Axle thread
512	w/o nuts 176	36	140	100	20	2.9 +/-0.1	3/8" x 26TPI
512 QR	with QR 188	36	108	100	4	2.9 +/-0.1	M9 x 1

## 562



## 562QR



All ALUMINIUM hubs also available in black (anodized)



Rubber cap

Flange nut

Cap nut 21mm total height

Rear hub type	Weight (gram)	Number of spoke holes	A Axle length (mm)	B Over lock nut dimension (mm)	C Sprocket clearance (mm)	R Free axle right (mm)	D Spoke hole diameter (mm)	E Axle thread
562-7	w/o nuts 286	36	175	130	38	25	2.9 +/-0.1	3/8" x 26TPI
562-8	291	36	180	135	40	25	2.9 +/-0.1	3/8" x 26TPI
562-7 QR	with QR 301	36	140	130	38	5	2.9 +/-0.1	M10 x 1
562-8 QR	311	36	145	135	40	5	2.9 +/-0.1	M10 x 1

## Dynamos: 6 Volt / 3 Watt

### UN-4100

- Efficiency more than 35%
- 8-pole magnet
- Durable nylon pulley
- 1+1 clamp contact for secure twin-cable connection
- Zinc plated bracket with serration washer
- RIGHT- and LEFT- side mounting type available
- Maintenance free
- Weight: 124g



~ K 386

### UN-4190

- Efficiency more than 35%
- 8-pole magnet
- Sintered steel bearings
- Serrated steel pulley
- 1+1 clamp contact for secure twin-cable connection
- Zinc plated bracket with serration washer
- RIGHT- and LEFT- side mounting type available
- Maintenance free
- Weight: 202g



### UN-4105

- Efficiency more than 35%
- 8-pole magnet
- Release lever for easy operating
- Durable nylon pulley
- 1+1 clamp contact for secure twin-cable connection
- Zinc plated bracket with serration washer
- RIGHT- and LEFT- side mounting type available
- Maintenance free
- Weight: 147g



~ K 386

### UN-4125

- Efficiency more than 35%
- 8-pole magnet
- Release lever for easy operating
- Durable rubber pulley
- 2+2 plug-on contacts for secure twin-cable connecting
- Zinc plated bracket with serration washer
- RIGHT- and LEFT- side mounting type available
- Maintenance free
- Weight: 150g



~ K 386

## Classic Headlight

### UN-4290

- Chromed steel housing
- Normal bulb
- Complete with wire
- Zinc plated bracket with serration washer



### UN-4195

- Efficiency more than 35%
- 8-pole magnet
- Sintered steel bearings
- Durable rubber pulley
- 1+1 clamp contact for secure twin-cable connection
- Zinc plated bracket with serration washer
- RIGHT- and LEFT- side mounting type available
- Maintenance free
- Weight: 148g



~ K 386

## Headlights: 6 Volt/2.4 Watt

### UN-4210

- Durable ABS housing
- Normal bulb
- 1+1 plug-on contact for secure twin-cable connection
- Base with serration washer and ground contact



### UN-4905

- Front light with 3 x LED white
- With ON/OFF button for use with hub dynamo
- With stainless steel lamp holder
- With retro reflector in ring design
- With 90cm twin cable



### UN-4215

- like UN-4210, with additional MTB grid



### UN-4220

- Durable ABS housing
- HALOGEN bulb
- 1+1 plug-on contact for secure twin-cable connection
- Base with serration washer and ground contact



### UN-4225

- Like UN-4220, with additional ON-OFF switch for use with hub dynamo
- 1+1 lugs for twin-cable connection to dynamo and 1+1 terminal lugs for taillight connection



~ K 418

~ K 418

## Headlights: 6 Volt / 2.4 Watt

### UN-4250 VENTI

- Front light with 1 x LED white
- 20 Lux performance
- For use with side dynamo
- With 1+1 INPUT terminal lugs
- Mounting on front fork, bracket stainless steel



### UN-4255 VENTI

- Like VENTI (UN-4250), with on/off switch
- For use with hub dynamo, with fixed twin cable, 60 cm
- With 1+1 terminal lugs for taillight



### UN-4256 VENTI STEADY

- Like VENTI (UN-4255)
- With "battery free" stand light function

### UN-4258 VENTI STEADY SENSOR

- Like VENTI STEADY (UN-4256)
- With automatic ON/OFF mode

### UN-4920

- Classic front light with 1 x LED white
- 20 Lux performance
- For use with side dynamo
- With 2+2 INPUT and OUTPUT terminal lugs
- Mounting on front fork, bracket stainless steel



### UN-4925

- Like UN-4920, with on/off switch
- For use with hub dynamo
- With 2+2 INPUT and OUTPUT terminal lugs



### UN-4926 STEADY

- Like UN-4925, with on/off switch
- With "battery free" standlight function



### UN-4928 STEADY SENSOR

- Like UN-4926, with standlight
- With automatic ON/OFF mode



### UN-4965 MOBILE

- Front light with 1 x LED white, and on/off button at the top
- For use with hub dynamo, with fixed twin cable
- Mounting on front fork, bracket stainless steel

IA (E1) 023511



### UN-4260 HILUX

- Front light with 1 x LED white
- 35 Lux performance
- For use with side dynamo
- With 1+1 INPUT terminal lugs
- Mounting on front fork, bracket stainless steel



### UN-4265 HILUX

- Like HILUX (UN-4260), with on/off switch
- For use with hub dynamo, with fixed twin cable, 60 cm
- With 1+1 terminal lugs for taillight connection



### UN-4266 HILUX STEADY

- Like HILUX (UN-4265)
- With "battery free" stand light function

### UN-4268 HILUX STEADY SENSOR

- Like HILUX STEADY (UN-4266)
- With automatic ON/OFF mode

### UN-4930

- Classic front light with 1 x LED white
- 40 Lux performance
- For use with side dynamo
- With 2+2 INPUT and OUTPUT terminal lug
- Mounting on front fork, bracket stainless steel



### UN-4935

- Like UN-4930, with on/off switch
- For use with hub dynamo
- With 2+2 INPUT and OUTPUT terminal lug

### UN-4936 STEADY

- Like UN-4935, with on/off switch
- With "battery free" standlight function



### UN-4938 STEADY SENSOR

- Like UN-4936, with standlight
- With automatic ON/OFF mode



### UN-4965 MOBILE PLUS

- Front light with 1 x high power LED and on/off button at the top
- 10 Lux performance
- For use with hub dynamo, with fixed twin cable
- Mounting on front fork, bracket stainless steel

## Taillights: 6 Volt

**NEW**

~ K 1326

IA (E) 024515



### UN-4370

- 1 red LED and light bar for bright luminosity
- Extra wide radiation >220°
- Transparent lens and durable ABS housing
- 1+1 INPUT terminal lugs
- Base with stainless steel M5 bolt, washer and lock nut

### UN-4375

- Like UN-4370, with 1 red LED and light bar
- With additional "battery free" stand light function, powered by capacitor



~ K 1237

IA (E) 024302

### UN-4360

- 3 red LED and light bar for very bright luminosity
- Extra wide radiation to the sides >220°
- Transparent lens and durable ABS housing
- 1+1 INPUT terminal lugs
- Base with 2 x M5 bolts, for luggage carrier mounting 50/80 mm
- With stainless steel bolts, washers and lock nuts

### UN-4365

- Like UN-4360, with 3 red LED and light bar
- With "battery free" standlight function



### UN-4350

- 1 bright red LED and light bar for high luminosity
- Extra wide radiation to the sides >220°
- Transparent lens and durable ABS housing
- 1+1 INPUT terminal lugs
- Base with 2 x M5 for luggage carrier mounting 50/80 mm
- With stainless steel fasteners



~ K 694

### UN-4340

- 1 bright red LED for extra wide radiation >220°
- Transparent lens
- Durable ABS housing
- 1+1 clamp contact
- Base with 2 x M5 bolt, for luggage carrier mounting 50mm/80mm

### UN-4345

- 1 bright red LED for extra wide radiation >220°
- Like taillight 4340
- With additional "battery free" stand light function, powered by capacitor

### UN-4320

- 3 red LED for >220° radiation
- Transparent lens
- Durable ABS housing
- 1+1 clamp contact
- Base with M 5 bolt, for easy mudguard mounting

### UN-4325

- 3 red LED for >220° radiation
- Like taillight 4320
- With additional "battery free" stand light function, powered by capacitor



~ K 693

## Accessories

### HB-1

- Cantilever bracket
- Steel, ED black



### HB-3 WIDE, CHROME

- Bracket for handlebar stem
- Steel, chrome plated
- Fits for UN-4915, -4920, -4930



### TWIN CABLE 65CM

- For head light connection to Dynamo



### SINGLE PLUG

- To connect cable at terminal lugs
- Use with UN-4360, HILUX, VENTI



### HB-2

- V-brake bracket
- Steel, ED black



### HB-3 WIDE, BLACK

- Bracket as above, in black



### TWIN CABLE 220CM

- For light connection to Dynamo



### TWIN PLUG

- To connect cable at terminal lugs
- Use with UN-4920 up to UN-4938



### HB-3

- Bracket for handlebar stem
- Steel, chrome plated
- fits for UN-4900, -4905, -4955



### HB-4

- V-brake bracket
- Stainless Steel, with lock nut



## LED Headlights

**NEW**



### UN-4800

- Front light with 1 x LED white and on/off button at the front
- 10 Lux performance
- Batteries: 3x AAA alkaline, included and assembled
- Mounting at the front fork, bracket stainless steel

### UN-4240

- Front light with 1 x LED white, with on/off button at the top
- 20 Lux performance
- Batteries: 4 x AAA alkaline, included and assembled
- Mounting on front fork, bracket stainless steel



~ K 1196  
IA (E1) 024188

### UN-4960 MOBILE

- Front light with 1 x LED white and on/off button at the top
- Batteries: 2 x AA alkaline, included and assembled
- Mounting on front fork, bracket stainless steel



IA (E1) 023511

### UN-4960 MOBILE PLUS

- Front light with 1 x high power LED, with two modes (low / high) by push button at the top
- 10 Lux in high mode / 5 Lux in low mode
- Batteries: 2 x AA alkaline, included and assembled
- Mounting on front fork, bracket stainless steel



IA (E1) 023511



black/black



white/white



black/black

### UN-4900

- Front light with 3 x LED white, with on/off button at the top
- Batteries: 3 x AAA alkaline, included and assembled
- Mounting on handlebar stem bracket
- ABS-housing, available in black, white and chrome



### UN-4900 STAINLESS STEEL & RETRO REFLECTOR

- Like UN-4900, with lamp holder in stainless steel
- With retro reflector in ring design
- ABS-housing, available in black and chrome



### UN-4900

- Front light with 3 x LED white, with on/off button at the top
- Batteries: 3 x AAA alkaline, included and assembled
- Mounting on front fork, with PA + steel bracket
- With retro reflector in ring design
- ABS-housing, available in black and white



### UN-4915

- Classic front light with 1 x LED white
- 20 Lux performance
- With on/off button at the top
- Batteries: 4 x AAA alkaline, included and assembled
- Mounting on front fork, bracket stainless steel

~ K 1122  
IA (E1) 024005



### UN-4955

- Classic LED front light, downsized
- With on/off button at the top and 1 x high power LED white
- Batteries: 2 x AAA alkaline, included and assembled
- Various mounting opportunities, bracket flange stainless steel



## LED rear lights



### UN-4470

- 1 red LED and light bar for bright luminosity
- Extra wide radiation >220°
- Transparent lens and durable ABS housing
- Batteries: 2x AAA, included and assembled
- On/off switch at the back side
- Base with M5 bolt
- With stainless steel fasteners

**NEW**

### UN-4475

- Like UN-4470, with 1 red LED and light bar
- With automatic ON/OFF mode

**NEW**



~ K 1326  
IA (E) 024515



~ K 1237  
IA (E) 024302

### UN-4460

- 3 red LED and light bar for very bright luminosity
- Extra wide radiation to the sides >220°
- Transparent lens and durable ABS housing
- Batteries: 2 x AA, included and assembled
- On/off button at the side
- Base with 2 x M5 bolts, for luggage carrier mounting 50/80 mm
- With stainless steel bolts, washers and lock nuts



### UN-4465

- Like UN-4460, with 3 red LED and light bar
- With automatic ON/OFF mode

### UN-4450

- 1 bright red LED and light bar for high luminosity
- Extra wide radiation to the sides >220°
- Transparent lens and durable ABS housing
- Batteries: 2 x AAA alkaline, included and assembled
- On/off switch at the side
- Base with 2 x M5 for luggage carrier mounting 50/80 mm
- With stainless steel fasteners



### UN-4430

- Rear carrier light with 2 x LED red and light bar, with on/off switch at the bottom
- Batteries: 2 x AA alkaline, included and assembled
- Mounting on rear carrier with pitch 80mm (alternative 50mm)
- With stainless steel bolts, washers and lock nuts



IA (E) 023409

### UN-4420

- Rear carrier light with 3 x LED red, with on/off switch
- Batteries: 2 x AA alkaline, included and assembled
- Mounting on rear carrier with pitch 80mm (alternative 50mm)
- With stainless steel bolts, washers and lock nuts



IA (E) 023349

### UN-4400

- Rear carrier light with 3 x LED red, with on/off switch
- Batteries: 2 x AA alkaline, included and assembled
- Mounting on rear carrier with pitch 80mm (alternative 50mm)



### UN-4307

- Rear mudguard light with 1 x LED red, with on/off switch at the back side
- Extra water resistant
- Batteries: 2 x AAA alkaline, included and assembled
- Stainless steel fasteners, including lock nut
- Mounting on rear mudguard
- With smoke glass



IA (E) 023408

### UN-4305

- Rear mudguard light with 1 x LED red, with on/off button at the top
- Batteries: 2 x AAA alkaline, included and assembled
- Mounting on rear mudguard
- With smoke glass



IA (E) 023408



### UN-100

- Front light LED
- Direct USB adapter
- Steady + flash
- Burning time 2.5 HRS



### UN-101

- Tail light LED
- Direct USB adapter
- Steady + flash
- Burning time 2.5 HRS



### UN-102

- Lighting set LED (UN-100+UN-101)
- Direct USB adapter
- Steady + flash
- Burning time 2.5 HRS



### UN-110

- Tail light LED (3 x LED)
- Incl. USB 2.0 charging cable
- Steady + flash
- 300° visibility (light guide)
- Burning time 6 HRS



### UN-120

- Tail light LED (2 x LED)
- Incl. micro USB charging cable
- Steady + flash
- Adjustable rubber quick release
- Burning time 6 HRS



### UN-130

- Tail light LED (2 x LED)
- Incl. USB 2.0 charging cable
- Bracket system with finger screw
- Steady + flash + steady 50%
- Burning time 4 HRS



### UN-150

- Front light LED
- 2 x LED (2 LUX)
- Incl. micro USB charging cable
- Steady + flash
- Adjustable rubber quick release
- Burning time 6 HRS



### UN-160

- Front light LED
- 2 x LED (4 LUX)
- Incl. USB 2.0 charging cable
- Bracket system with finger screw
- Black version with handlebar and V-brake bracket
- Steady + flash + steady 50%
- Burning time 4 HRS



### UN-170/170M2

- Front light LED
- 1 x LED (30 LUX)
- Incl. USB 2.0 charging cable
- Bracket system with finger screw
- Black version with handlebar and V-brake bracket
- Steady + flash + steady 50%
- Burning time 4 HRS (UN-170) or 8 HRS (UN-170M2)

### DISPLAY FOR 6 BLISTERCARDS

For standing on counter or hanging on the wall



### UNION- 5N / 8N / 10N / 9WN-SILVER

- UNION-N cycle computer with silver coloured housing
- Available with 5-, 8- and 10- functions with wire (dark grey inner panel) and 9-functions wireless (blue inner panel)



AUTO ON / OFF



AUTO ON / OFF

### UNION- 5N / 8N / 10N / 9WN-BLACK

- UNION-N cycle computer with black coloured housing
- Available with 5-, 8- and 10- functions with wire (black inner panel) and 9-functions wireless (blue inner panel)



AUTO ON / OFF

### UNION- 5N / 8N / 10N / 9WN-WHITE

- UNION-N cycle computer with white coloured housing
- Available with 5-, 8- and 10- functions with wire (black inner panel) and 9-functions wireless (red inner panel)



### UNION- 5 / 8 / 10 / 9W

- UNION cycle computer with titanium coloured housing
- Available with 5-, 8- and 10- functions with wire and 9-functions wireless





MODEL FUNCTION	UNION-5N UNION-5	UNION-8N UNION-8	UNION-10N UNION-10	UNION-9WN UNION-9W
Current speed	V	V	V	V
Average speed		V	V	V
Maximum speed		V	V	V
Trip distance	V	V	V	V
Odometer	V	V	V	V
Distance/ day				V
Auto scan	V	V	V	V
Speed pacer			V	
Riding time		V	V	V
Total riding time			V	
12 hours clock	V	V	V	
12/24 hours clock				V
<b>FEATURES</b>				
With wire	V	V	V	
Wireless				V
Auto ON/OFF				V

- 16 models of high quality computers
- Two years of full guarantee
- All computers packed in blister-panelbox
- Exclusive housing designs
- Special handlebar bracket
- Assembly instructions and user manual in 10 languages
- Easy installment

### COMPUTER DISPLAY

- Can carry up to 16 computers
- Can stand on counter or hang at wall
- H 485 x W 348 x D 196mm





### UNION-6 / 9 / 12

- UNION cycle computer with transparent upper housing and white lower casing
- Available with 6-, 9-, and 12- functions with wire
- Low battery indicator

### UNION-13W

- UNION cycle computer with transparent upper housing and white lower casing
- Available with 13- functions, wireless
- Low battery indicator



AUTO ON / OFF



### UNION-7TW

- UNION cycle computer
- Available in black or white
- 7- functions, wireless

AUTO ON / OFF

### UNION-12TW

- UNION cycle computer
- Available in black or white
- 12- functions, wireless
- incl. Calories consumption and temperature



AUTO ON / OFF



### UNION-21TAW

- UNION cycle computer
- Available in black or white
- 21- functions, wireless
- incl. altitude functions
- incl. Calories consumption and temperature
- Low battery indicator and backlight

AUTO ON / OFF

MODEL FUNCTION	UNION-6	UNION-9	UNION-12	UNION-13W	UNION-7TW	UNION-12TW	UNION-21TAW
Current speed	V	V	V	V	V	V	V
Average speed		V	V	V	V	V	V
Maximum speed		V	V	V		V	V
Trip distance	V	V	V	V	V	V	V
Dual wheel size							V
Odometer bike 1 & 2							V
(Total)Odometer	V	V	V	V	V	V	V
Distance/ day				V		V	V
Auto scan	V	V	V	V		V	V
Speed pacer			V	V	V	V	V
Riding time		V	V	V	V	V	V
Total riding time			V	V			
12/24 hours clock	V	V	V	V	V	V	V
Calory consumption	V	V	V	V		V	V
Total calory consumption			V	V			V
Temperature						V	V
Current altitude							V
Maximum altitude							V
Trip climb							V
Total climb bike 1 & 2							V
Total climb							V
Backlight							V
<b>FEATURES</b>							
With wire	V	V	V				
Wireless				V	V	V	V
Low battery indicator	V	V	V	V			V
Auto ON/OFF				V	V	V	V

- 10 models of high quality computers
- Two years of full guarantee
- All computers packed in blister-panelbox
- Exclusive housing designs
- Special handlebar bracket
- Assembly instructions and user manual in 10 languages
- Easy installment

## Pedal Tool

**BT-015**  
Pedal wrench



## Headset Tool

**BT-301**  
Headset wrench  
30-32mm x 36-40mm



## Hub Cone Tools

**BT-310**  
Hub cone wrench  
13-15mm x 14-16mm  
(set of 2 pieces)



**BT-317**  
Hub cone wrench 17mm

**BT-318**  
Hub cone wrench 18mm

**BT-319**  
Hub cone wrench 19mm



## Freewheel and Cassette Tools

**1 BT-402**  
Freewheel remover for Suntour (2-notch)

**2 BT-410**  
Freewheel remover for Shimano HG20

**3 BT-434**  
Freewheel remover for BMX (4-notch)

**4 BT-420**  
Cassette sprocket locking tool with stabilizer (Shimano-type)

**5 BT-440**  
Cassette sprocket locking tool (Shimano-type)

**6 BT-490**  
Freewheel turner (chainwhip)



## Crank Tools

**BT-510**  
Cotterless crank  
extractor (14mm)



**BT-520**  
Cotterless crank  
extractor with wrench  
(all axles)



## Bottom Bracket Tools

### **BT-610**

Bottom bracket cup tool  
(adjustable)



### **BT-620**

Lock ring tool for bottom  
bracket and headset



### **BT-630**

Cartridge bottom bracket  
tool (Shimano-type)



### **BT-650**

Cartridge BB tool  
(8-notch)



## Cable Cutters

### **BT-800**

Cable cutter,  
cuts also outer casings



### **BT-801**

Cable cutter PRO,  
cuts also outer casings and spokes  
and presses ferrules and caps.  
With wire and casing  
reconditioner



## Tire Lever

### **BT-850**

Tire lever set (nylon / fiberglass reinforced)



## Spoke Tools

### **BT-127**

Spoke wrench for 0,127"  
nipples (DT Swiss &  
WheelSmith)



### **BT-136**

Spoke wrench for 0,136"  
nipples (Asian nipples)



### **BT-130**

Spoke wrench for 0,130"  
nipples (European nipples)



### **BT-139**

Spoke wrench 3-in-1  
(for all nipples)



## Chain Tools

### **BT-710**

Chain rivet extractor  
(fits all chains)



### **BT-750**

Chain rivet extractor  
Cr-Mo steel  
(fits all chains)



## Cleaning Tools

### **BT-780**

Chain scrubber with solvent  
reservoir and bristles



### **BT-860**

Derailleur and chain  
scrubber



## Workshop Stand

### **BT-999**

Aluminium workshop stand  
Completely foldable  
Bicycle can be fixed under any  
angle (360°)



## Folding Tool

### **BT-950**

Folding tool with 9 functions



## Mini Folding Tools

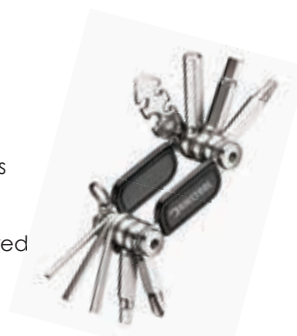
### BT-955

Mini folding tool with 9 functions including T-25 driver  
Blue anodized aluminium housing



### BT-959

Mini folding tool with 13 functions including T-25 screwdriver and 4 different spoke wrenches  
Stainless steel housing, TPE covered  
With key ring



### BT-985

Mini folding tool with 10 functions including T-25 driver  
Keys forged and fully CNC processed  
Black anodized aluminium housing



### BT-989

Mini folding tool with 18 functions including T-25 and T-30 screwdrivers, a chain rivet extractor and 4 different spoke wrenches  
Keys forged and fully CNC processed  
Black anodized aluminium housing



### BT-988

Mini folding tool with 18 functions including T-25 screwdrivers, tire lever and 4 different spoke wrenches  
Stainless steel housing, TPE covered



## Multifunction Tools

### BT-960

Multifunction tool with 20 functions



### BT-970

Multifunction tool with knife (8 functions)



### BT-975

Multifunction tool with 18 functions (incl. nylon belt bag)



### BT-980

Multifunction tool with 20 functions (incl. nylon belt bag)





- Full range of high quality bicycle chains
- Type tested and certificated by German TÜV Product Service
- Two years warranty
- All chains packed in a compact panelbox with euroslot

- All panelboxes include connector for tool-free assembly
- All panelboxes carry BAR code
- QR-code for easy access to product information
- 3 models with special GST coating for supreme anti-rust protection



**step 1**

To connect the Sigma Connector, hold the inner plate ends of the chain in both hands and insert the connecting link.



**step 2**

Now that one side of the Sigma Connector is inserted, place the outer connector plate on one pin, then place your thumbs over the outside plate and both pins. Gently flex the chain by pushing with thumbs until the outside connector plate snaps into position over the second pin.



**step 3**

Make sure the plates are parallel to each other and plate is fully seated in the pin channel. Note: If the outside connector plate is not seated in the channel, the plate may fall off.



**Disassembly :**

With the connector plate facing you, grasp the chain 4 to 5 links away from the connector and flex the chain by pushing with your thumbs. The link disconnects and the connector can be removed.







Greener Surface Treatment



resists > 300hrs. salt spray test



resists > 500hrs. salt spray test

	Type	Art.nr.	Size	Length	Finish	Design	Tensils strength	Compatibility	Extra feature	Connector
	747	390190	1/2"×1/8"	112 links	black	bush-type roller chain	>920 KGS	coaster brake	-	1 set UN-01 included
	410H	390410	1/2"×1/8"	112 links	black	bush-less	>920 KGS	single speed and gear hub 1/8"	-	1 set UN-33 included
	410H-AR	390415	1/2"×1/8"	112 links	titanium-grey with black pins	bush-less	>920 KGS	single speed and gear hub 1/8"		1 set UN-33 in GST grey included
	430H	390430	1/2"×3/32"	112 links	black	bush-less	>1020 KGS	gear hub 3/32" and non-index	-	1 set UN-25 included
	430H-AR	390435	1/2"×3/32"	112 links	titanium-grey with black pins	bush-less	>1020 KGS	gear hub 3/32"		1 set UN-25 in GST grey included
	710	390710	1/2"×3/32"	116 links	black	bush-less	>1020 KGS	5-/6-/7-speed index UG	-	1 set UN-23 included
	810	390810	1/2"×3/32"	116 links	black	bush-less	>1020 KGS	7-/8-speed IG/HG	Inner chamfer on inner plates	1 set UN-23 included
	810-AR	390815	1/2"×3/32"	116 links	titanium-grey	bush-less	>1020 KGS	7-/8-speed IG/HG	 Inner chamfer on inner plates	1 set UN-23 in GST grey included
	920	390920	1/2"×5/64"	116 links	silver	bush-less	>1020 KGS	9-speed HG	Double chamfer on outer plates, inner chamfer inner plates	2 set UN-20 included
	1020	390970	1/2"×5/64" extra narrow	116 links	silver	bush-less	>1020 KGS	10-speed HG/compatible with all 10-speed system	4-edges chamfered outer plates and deep inner	2 set UN-19 included

	Type	Art.nr.	Description	Application	Quantity	Size	Finish
	UN-01	390001	Spring clip connector Use standard plier Fits all chain brands	1/2"×1/8" bush-type coaster brake chain	2 sets on card or 500 in bulk	1/2"×1/8"	black
	UN-33	390033	Sigma connector No tools required Fits all chain brands	1/2"×1/8" chain for gear hub or single speed	2 sets on card or 500 in bulk	1/2"×1/8"	black
	UN-25	390025	Sigma connector No tools required Fits all chain brands	1/2"×3/32" chain for gear hub	2 sets on card or 500 in bulk	1/2"×3/32"	black
	UN-23	390023	Sigma connector No tools required Fits all chain brands	1/2"×3/32" derailleur chain 5-/6-/7-8-speed	2 sets on card or 500 in bulk	1/2"×3/32"	black/silver
	UN-20	390020	Sigma connector No tools required Fits all chain brands	1/2"×5/64" derailleur chain 9-speed	2 sets on card or 500 in bulk	1/2"×5/64"	silver
	UN-19	390019	Sigma connector No tools required Fits all chain brands	1/2"×5/64" derailleur chain 10-speed	2 sets on card or 500 in bulk	1/2"×5/64" extra narrow	silver



**GH-001**  
fits various brands



**GH-002**  
fits various brands



**GH-003**  
fits various brands



**GH-005**  
fits various brands



**GH-006**  
fits various brands



**GH-009**  
fits various brands



**GH-010**  
fits various brands



**GH-011**  
fits various brands



**GH-012**  
fits various brands



**GH-013**  
fits various brands



**GH-014**  
fits various brands



**GH-015**  
fits various brands



**GH-017**  
fits various brands



**GH-018**  
fits various brands



**GH-020**  
fits various brands



**GH-021**  
fits various brands



**GH-022**  
fits various brands



**GH-023**  
fits various brands



**GH-026**  
fits various brands



**GH-027**  
fits various brands



**GH-029**  
fits various brands



**GH-033**  
fits various brands



**GH-036**  
fits various brands



**GH-038**  
fits various brands



**GH-039**  
fits various brands



**GH-041**  
fits various brands



**GH-043**  
fits various brands



**GH-045**  
fits various brands



**GH-049**  
fits various brands



**GH-051**  
fits various brands



**GH-056**  
fits various brands



**GH-057**  
fits various brands



**GH-058**  
fits various brands



**GH-059**  
fits various brands



**GH-060**  
fits various brands



**GH-061**  
fits various brands



**GH-068**  
fits Trek and others



**GH-069**  
fits various brands



**GH-072**  
fits various brands



**GH-076**  
fits various brands



**GH-078**  
fits various brands



**GH-080**  
fits various brands



**GH-081**  
fits various brands



**GH-082**  
fits various brands



**GH-083**  
fits Specialized (road)



**GH-084**  
fits Specialized (MTB)



**GH-085**  
fits Cube



**GH-086**  
fits Specialized



**GH-087**  
fits various brands



**GH-088**  
fits various brands



**GH-089**  
fits Specialized



**GH-090**  
fits Felt



**GH-092**  
fits Bianchi



**GH-093**  
fits various brands



**GH-094**  
fits Specialized



**GH-095**  
fits Marin



**GH-096**  
fits Marin



**GH-097**  
fits Corratec and others



**GH-098**  
fits KTM



**GH-099**  
fits KTM



**GH-100**  
fits various brands



**GH-101**  
fits various brands



**GH-102**  
fits various brands



**GH-103**  
fits various brands



**GH-104**  
fits various brands



**GH-105**  
fits various brands



**GH-106**  
fits various brands



**GH-107**  
fits various brands



**GH-108**  
fits Cannondale



**GH-109**  
fits Cannondale



**GH-110**  
fits Giant



**GH-111**  
fits Trek



**GH-112**  
fits Trek



**GH-113**  
fits Trek and others



**GH-114**  
fits various brands



**GH-115**  
fits various brands



**GH-116**  
fits various brands



**GH-117**  
fits various brands



**GH-118**  
fits various brands



**GH-119**  
fits various brands



**GH-120**  
fits Scott



**GH-121**  
fits various brands



**GH-122**  
fits various brands



**GH-123**  
fits various brands



**GH-124**  
fits various brands



**GH-125**  
fits Cannondale



**GH-126**  
fits various brands



**GH-127**  
fits various brands



**GH-128**  
fits various brands



**GH-129**  
fits various brands



**GH-130**  
fits various brands



**GH-131**  
fits various brands



**GH-132**  
fits Felt and others



**GH-133**  
fits various brands



**GH-134**  
fits Giant



**GH-135**  
fits Giant



**GH-136**  
fits Giant



**GH-137**  
fits Trek



**GH-138**  
fits Trek



**GH-139**  
fits Trek



**GH-140**  
fits Specialized



**GH-141**  
fits Specialized



**GH-142**  
fits Specialized



**GH-143**  
fits Specialized



**GH-144**  
fits GT



**GH-145**  
fits various brands



**GH-146**  
fits various brands



**GH-147**  
fits Cervelo, Eddy Merckx



**GH-148**  
fits Cannondale



**GH-149**  
fits Cannondale



**GH-150**  
fits Cannondale



**GH-151**  
fits Cannondale



**GH-152**  
fits Eddy Merckx



**GH-153**  
fits various brands



**GH-154**  
fits various brands



**GH-155**  
fits Orbea



**GH-156**  
fits Scott



**GH-157**  
fits Scott



**GH-158**  
fits Cervelo



**GH-159**  
fits Specialized



**GH-160**  
fits Cannondale



**GH-161**  
fits Trek



**GH-162**  
fits Lapierre, Koga



**GH-163**  
fits Scott



**GH-164**  
fits Cube



**GH-165**  
fits Cube



**GH-166**  
fits Specialized



**GH-167**  
fits Lapierre, Ghost



**GH-168**  
fits Lapierre



**GH-169**  
fits Ghost



**GH-170**  
fits Ghost



**GH-171**  
fits Ghost



**GH-172**  
fits Ghost



**GH-173**  
fits Ghost, Koga



**GH-174**  
fits Ghost, Koga



**GH-175**  
fits Cube



**GH-176**  
fits Cube



**GH-177**  
fits Cube



**GH-178**  
fits Bergamont



**GH-179**  
fits Stevens



**GH-180**  
fits Stevens, Kuota



**GH-181**  
fits Scott



**GH-182**  
fits Scott



**GH-183**  
fits Giant



**GH-184**  
fits Giant



**GH-185**  
fits Giant



**GH-186**  
fits Giant



**GH-187**  
fits various brands



**GH-188**  
fits Trek



**GH-189**  
fits Trek



**GH-190**  
fits Trek



**GH-191**  
fits Giant



**GH-192**  
fits Cannondale



**GH-199**  
fits KTM



**GH-200**  
fits various brands



**GH-201**  
fits Cube



**GH-202**  
fits various brands



**GH-203**  
fits Stevens, BMC



**GH-204**  
fits Focus



**GH-205**  
fits Fuji



**GH-206**  
fits Cannondale



**GH-207**  
fits Cervelo



**GH-208**  
fits Colnago



**GH-209**  
fits Willer and others



**GH-210**  
fits Bulls and others



**GH-211**  
fits BH and others



**GH-212**  
fits Scott



**GH-213**  
fits various brands



**GH-214**  
fits Focus



**GH-215**  
fits Focus



**GH-216**  
fits Focus



**GH-217**  
fits Scott



**GH-218**  
fits Lapierre



**GH-219**  
fits various brands



**GH-220**  
fits various brands



**GH-221**  
fits Lapierre



**GH-222**  
fits Lapierre



**GH-223**  
fits Lapierre



**GH-224**  
fits Haibike



**GH-225**  
fits Trek



**GH-226**  
fits BMC



**GH-227**  
fits Bergamont



**GH-228**  
fits Fuji



**GH-229**  
fits Focus and others



**GH-230**  
fits BMC



**GH-231**  
fits Pinarello



**GH-232**  
fits Felt



**GH-233**  
fits Giant



**GH-234**  
fits Willer



**GH-235**  
fits Giant



**GH-236**  
fits Ghost



**GH-237**  
fits BMC



**GH-238**  
fits various brands



**GH-239**  
fits various brands



**GH-240**  
fits various brands



**GH-241**  
fits various brands



**GH-242**  
fits various brands



**GH-243**  
fits BH



**GH-244**  
fits various brands



**GH-245**  
fits various brands



**GH-246**  
fits KTM



**GH-247**  
fits KTM



**GH-248**  
fits KTM



**GH-249**  
fits Bulls



**GH-250**  
fits Bulls



**GH-251**  
fits Bulls



**GH-252**  
fits Bulls



**GH-253**  
fits Bulls



**GH-254**  
fits Bulls



**GH-255**  
fits Bulls



**GH-256**  
fits Orbea



**GH-257**  
fits Cube



**GH-258**  
fits Stevens, Corratec



**GH-259**  
fits Giant



**GH-260**  
fits Cannondale



**GH-261**  
fits Giant



### BOX TOP-20

Assortment box with the 20 most sold gear hangers (1 pc. each), fitting frames for hundreds of bike brands.

#### CONTENT:

- GH-001 GH-002 GH-003
- GH-005 GH-006 GH-009
- GH-010 GH-011 GH-012
- GH-013 GH-014 GH-015
- GH-017 GH-018 GH-020
- GH-022 GH-023 GH-029
- GH-033 GH-039



### BOX TOP 21-40

Assortment box with another 20 common gear hangers (1 pc. each), fitting frames for many different bike brands.

#### CONTENT:

- GH-021 GH-026 GH-036
- GH-043 GH-045 GH-056
- GH-058 GH-068 GH-080
- GH-106 GH-107 GH-114
- GH-116 GH-117 GH-119
- GH-124 GH-126 GH-128
- GH-130 GH-131



### BOX SPECIALS

Assortment box with the 20 special hangers fitting the latest frames of Cannondale, Specialized, Trek and Giant

#### CONTENT:

- GH-083 GH-086 GH-094
- GH-108 GH-109 GH-110
- GH-111 GH-112 GH-134
- GH-135 GH-139 GH-140
- GH-017 GH-018 GH-020
- GH-142 GH-148 GH-149
- GH-150 GH-151



### BOX SELECTION

Create your own assortment box, using your selection from the 160 different stickers that come with this box, all drawings at scale 1:1

**We have the solution!**

Finding the right gear hanger or disc brake pad is from now on child's play!

April 2017

by MARWI

### GH CATALOGUE

Showing the gear hangers at scale 1:1 fitting for 140 bike brands, including a comprehensive database with more than 6.800 frame models. This 192 page catalogue also includes all disc brake pads.

**UNION®**

**GEAR HANGERS**

www.marwi-eu.com/gh

by MARWI

### GH POSTER

Showing all 216 gear hangers at 68% of real size, with a list of bike brands for each hanger. The poster measures 79x110cm and includes all 48 disc brake pads for 15 disc brake brands.



## Disc Brake Pads with Cooling Fins

The cooling fin helps to prevent heat build-up by improving the heat dissipation and reduce the brake-pad surface temperature by 50°C  
 No brake power fading due to overheated brake pads  
 Exactly the same specifications as originally supplied, ensuring consistent performance  
 Brake pad compound with high friction coefficient that offers consistent and smooth braking power

### DBP-44C-SET

for AVID DB / Elixir



### DBP-42C-SET

for FORMULA Mega One



### DBP-55C-SET

for MAGURA MT2 / MT4 / MT6 / MT8



### DBP-17C-SET

for SHIMANO XTR -2010



### DBP-52C-SET

for SHIMANO XTR 2011-2016



### DBP-64C-SET

for SHIMANO Ultegra



### ASSORTMENT BOX TOP-20

CONTENT :	DBP-11	AVID	DBP-12	MAGURA
	DBP-38	AVID	DBP-14	MAGURA
	DBP-44	AVID	DBP-36	MAGURA
	DBP-57	AVID	DBP-55	MAGURA
	DBP-31	FORMULA	DBP-10	SHIMANO
	DBP-42	FORMULA	DBP-17	SHIMANO
	DBP-01	HAYES	DBP-52	SHIMANO
	DBP-26	HAYES	DBP-64	SHIMANO
	DBP-40	HAYES	DBP-08	TEKTRO
	DBP-04	MAGURA	DBP-46	TEKTRO



### WORKSHOP BOXES (25 PRS.)

Packed per 25 sets incl. spring and pin  
 Boxes are stackable  
 8 different models available

DBP-10 bulk box	DBP-44 bulk box
DBP-11 bulk box	DBP-52 bulk box
DBP-17 bulk box	DBP-55 bulk box
DBP-42 bulk box	DBP-64 bulk box

(A) (P)

DBP-11

Or

DBP-11S

Sin

\*



for AVID Juicy BB7 / Juicy Ultimate and PROMAX DSK-950

(A)

DBP-34

Or

DBP-34S

Sin

\*



for AVID Code

(A)

DBP-38

Or

DBP-38S

Sin

\*



for AVID BB5

(A)

DBP-44

Or

DBP-44S

Sin

\*



for AVID Elixir / DB and SRAM XX / XO series

(A)

DBP-57

Or

DBP-57S

Sin

\*



for AVID XO trail and SRAM GUIDE

(A)

DBP-63

Or

DBP-63S

Sin

\*



for AVID DB1 / DB3

(C)

DBP-62

Or

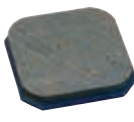


for CLARKS CMB-8

(F)

DBP-07

Or



for FORMULA hydraulic callipers

(F)

DBP-16

Or

DBP-16S

Sin

\*



for FORMULA B4 Team / Pro / SL & 4Racing callipers

(F)

DBP-31

Or

DBP-31S

Sin

\*



for FORMULA Oro callipers

(F)

DBP-42

Or

DBP-42S

Sin

\*



for FORMULA Mega

(F)

DBP-50

Or



for FORMULA Activa / MD1 mechanical callipers

(G)

DBP-21

Or



for GIANT MPH 2 / 3 callipers

(G)

DBP-51

Or



for GIANT MPH 1 callipers

(H) (P)

DBP-01

Or

DBP-01S

Sin



for HAYES HFX and PROMAX hydraulic callipers

(H)

DBP-26

Or

DBP-26S

Sin



for HAYES Sole / MX2 / MX3

(H)

DBP-37

Or

DBP-37S

Sin



for HAYES El Camino callipers

(H)

DBP-40

Or

DBP-40S

Sin

\*



for HAYES Stroker Ryde

(H)

DBP-41

Or

DBP-41S

Sin



for HAYES Stroker Trial

(H)

DBP-45

Or

DBP-45S

Sin



for HAYES Ace

(H)

DBP-05

Or

DBP-05S

Sin



for HOPE open/closed 2-piston callipers Pro / Sport

(H)

DBP-20

Or

DBP-20S

Sin

\*



for HOPE Mini callipers

(H)

DBP-22

Or

DBP-22S

Sin

\*



for HOPE M4 / DH4 / callipers

(H)

DBP-28

Or

DBP-28S

Sin

\*



for HOPE Mono 6-pot callipers

(H)

DBP-29

Or

DBP-29S

Sin

\*



for HOPE Mono mini callipers

(H)

DBP-35

Or

\*



for HOPE Mono V2

(H)

DBP-48

Or

DBP-48S

Sin

\*



for HOPE X2

(H)

DBP-58

Or

DBP-58S

Sin

\*



for HOPE V4

(H)

DBP-59

Or

DBP-59S

Sin

\*



for HOPE E4

(M)

DBP-04

Or

DBP-04S

Sin



for MAGURA Clara 2000 / Louise 98-01 callipers



**Or** Organic compound is specially formulated to produce excellent all around performance, perfect for everyday use.

**Sin** Sintered compound is designed to produce consistent performance in all condition, offer high durability and high resistance to contamination by mud, water, sand and grit.

**\*** With spring

- A** AVID
- C** CLARKS
- F** FORMULA
- G** GIANT
- H** HAYES
- H** HOPE
- M** MAGURA
- P** PROMAX
- S** SHIMANO
- T** TEKTRO

**M**  
DBP-12 **Or**  
DBP-12S **Sin**



for MAGURA Julie callipers

**M**  
DBP-14 **Or**  
DBP-14S **Sin**



for MAGURA Clara 2001-2 / Louise 2002/Louise FR callipers

**M**  
DBP-18 **Or**  
**\***



for MAGURA Gustav M callipers

**M**  
DBP-19 **Or**  
DBP-19S **Sin**



for MAGURA Marta / SL callipers

**M**  
DBP-36 **Or**  
DBP-36S **Sin**



for MAGURA Louise 2007 / Louise Carbon 2008

**M**  
DBP-55 **Or**  
DBP-55S **Sin**



for MAGURA MT2/ MT4/ MT6/ MT8

**M**  
DBP-60 **Or**  
DBP-60S **Sin**



for MAGURA MT5/MT7

**M**  
DBP-65 **Or**  
DBP-65S **Sin**



for MAGURA MT5 (2015-)

**S**  
DBP-09 **Or**  
DBP-09S **Sin**  
**\***



for SHIMANO Deore XT M755 / 756 / GRIMECA System 8.0+12 / SRAM 9.0 / HOPE Mono M4 callipers

**S**  
DBP-10 **Or**  
DBP-10S **Sin**  
**\***



for SHIMANO Deore M515/M475/ C501/C601 mechanical/M525 hydraulic callipers

**S**  
DBP-15 **Or**  
DBP-15S **Sin**  
**\***



for SHIMANO Deore M555 hydraulic / C900 / 901 Nexave callipers

**S**  
DBP-17 **Or**  
DBP-17S **Sin**  
**\***



for SHIMANO XTR M965/966/Saint M800/Hone M-601/Deore XT M765/ LX M858 callipers

**S**  
DBP-43 **Or**  
DBP-43S **Sin**  
**\***



for SHIMANO Saint

**S**  
DBP-52 **Or**  
DBP-52S **Sin**  
**\***



for SHIMANO XTR 2011-2016

**S**  
DBP-64 **Or**  
DBP-64S **Sin**  
**\***



for SHIMANO Ultegra

**T**  
DBP-08 **Or**  
DBP-08S **Sin**



for TEKTRO mechanical callipers

**T**  
DBP-27 **Or**  
DBP-27S **Sin**  
**\***



for TEKTRO Volans / Auriga / E-Sub

**T**  
DBP-46 **Or**



for TEKTRO IOX

**T**  
DBP-56 **Or**  
DBP-56S **Sin**



for TEKTRO Lyra



1 Wavy	DBR-02-160	ø160mm	Stainless Steel	6 bolts
	DBR-02-180	ø180mm		
	DBR-02-203	ø203mm		
2 WindCutter	DBR-03-160	ø160mm		
	DBR-03-180	ø180mm		
	DBR-03-203	ø203mm		



### BS-300

- V-Brake brake shoes, cartridge
- Aluminium pad holder
- Silver finish
- Length: 72mm



### BS-301

- Pads & pins only, for BS-300
- Length: 72mm



### BS-320

- V-Brake brake shoes, cartridge
- Aluminium pad holder
- Silver finish
- Triple color pad
- Length: 72mm



### BS-321

- Pads & pins only, for BS-320
- Length: 72mm



### BS-400

- V-Brake brake shoes
- Non-symmetric post
- Length: 72mm



### BS-420

- V-Brake brake shoes
- Symmetric post
- Length: 70mm



### BS-440

- V-Brake brake shoes
- Non-symmetric post
- Length: 80mm
- Specially designed for E-Bike



### BS-460

- V-Brake brake shoes
- Symmetric post
- Length: 75mm
- Specially designed for E-Bike



### BS-500

- Cantilever brake shoes
- Hardened Aluminium post (non-symmetric)
- Length: 72mm



### BS-520

- Cantilever brake shoes
- Hardened Aluminium post (symmetric)
- Length: 70mm



### BS-560

- Cantilever brake shoes
- Symmetric post
- Length: 55mm





### BS-600

- Road racing brake shoes, cartridge
- Shimano type
- Aluminium pad holder
- Silver finish
- Length: 55mm



### BS-601

- Pads only, for BS-600
- For Aluminium rims
- Length: 55mm



### BS-620

- Road racing brake shoes
- Universal type
- Length: 50mm



### BS-640

- Road racing brake shoes, cartridge
- Campagnolo Record & Chorus -2000
- Aluminium pad holder
- Silver finish
- Length: 55mm



### BS-641

- Pads only, for BS-640
- For Aluminium rims
- Length: 55mm



### BS-660

- Road racing brake shoes, cartridge
- Campagnolo Record & Chorus -2000
- Aluminium pad holder
- Carbon anodized finish
- Length: 55mm



### BS-661

- Pads only, for BS-660
- For Aluminium rims
- Length: 55mm



### BS-100

- Caliper brake shoes
- X-pattern
- Length: 40mm



### BS-801

- For Magura hydraulic rim brake
- Replacement pads only
- Length: 50mm

## WORKSHOP BOXES

- Packed per 25 sets in a sturdy plastic box
- Boxes are stackable
- 6 different models available in a workshop box:

BS-300 bulk box  
BS-400 bulk box  
BS-420 bulk box

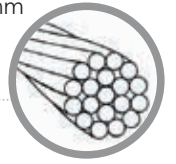
BS-500 bulk box  
BS-520 bulk box  
BS-560 bulk box





**CW-100**  
 Brake cable, 1.6mm, galvanized steel, 19 strands, length 2250mm

**CW-120**  
 Brake cable, 1.6mm, stainless steel, 19 strands, length 2250mm



**CW-200**  
 Shift/derailleur cable, 1.2mm, galvanized steel, 19 strands, length 2100mm

**CW-220**  
 Shift/derailleur cable, 1.2mm, stainless steel, 19 strands, length 2100mm



**CW-300**  
 Brake outer casing, universal coiled core, black, dia. 5mm, length 1700mm

**CW-310**  
 Brake outer casing, universal coiled core, grey, dia. 5mm, length 1700mm



**CW-400**  
 Complete brake cable set, galvanized steel (2250mm), including outer casing and parts

**CW-420**  
 Complete brake cable set, stainless steel (2250mm), including outer casing and parts



**CW-350**  
 Shift/derailleur casing, Shimano-type stranded core, black, dia. 4mm, length 2000mm

**CW-360**  
 Shift/derailleur casing, Shimano-type stranded core, grey, dia. 4mm, length 2000mm



**CW-440**  
 Complete shift/derailleur cable set, galvanized steel (2100mm), including outer casing (Shimano-type) and parts

**CW-460**  
 Complete shift/derailleur cable set, stainless steel (2100mm), including outer casing (Shimano-type) and parts



**CW-900**  
 Brake ferrules  
 200 pcs. in a dispenser bottle



**CW-910**  
 Shift ferrules  
 150 pcs. in dispenser bottle










**CW-920**  
 Brake end caps  
 500 pcs. in dispenser bottle



**CW-930**  
 Shift end caps  
 500 pcs. in dispenser bottle



<b>CW-430</b>		Complete drumbrake cable set, galvanized steel (2250mm) Gazelle-type Including outer casing and all parts
<b>CW-434</b>		Complete drumbrake cable set, galvanized steel (2250mm) Universal type with adjusting screw Including outer casing and all parts
<b>CW-438</b>		Complete drumbrake cable set, galvanized steel (2250mm) Batavus-type with hook Including outer casing and all parts
<b>CW-470</b>		Complete shift cable set, galvanized steel (2500mm) SRAM / Sachs Torpedo Including outer casing and all parts
<b>CW-480</b>		Complete shift cable set, galvanized steel (2400mm) Sturmey-Archer old model with hook Including outer casing and all part
<b>CW-485</b>		Complete shift cable set, galvanized Sturmey-Archer new model Pre-assembled with outer casing and all parts
<b>CW-490</b>		Complete shift cable set, galvanized Sturmey-Archer Linea/Nimbus Pre-assembled with outer casing and all parts

### CW-600

Brake cable, 1.6mm, galvanized steel, 19 strands, with barrel (7x6)  
100 pcs. of 1800mm, in workshop box

### CW-620

Brake cable, 1.6mm, stainless steel, 19 strands, with barrel (7x6)  
100 pcs. of 1800mm, in workshop box

### CW-625

Brake cable, 1.6mm, stainless steel, 19 strands, with pear (10x6)  
100 pcs. of 1800mm, in workshop box

### CW-700

Shift/derailleur cable, 1.2mm, galvanized steel, 19 strands, with barrel (4x4) 100 pcs. of 2100mm, in workshop box

### CW-720

Shift/derailleur cable, 1.2mm, stainless steel, 19 strands, with barrel (4x4) 100 pcs. of 2100mm, in workshop box



### CW-590

V-Brake guide pipe, 90 degrees  
With rubber boot

### CW-596

V-Brake guide pipe, flexible  
With rubber boot

### CW-595

V-Brake guide pipe, 135 degrees  
With rubber boot



### CW-800

Brake outer casing, universal coiled core, dia. 5mm (CW-300) 30 metres in workshop box, black

### CW-810

Brake outer casing, universal coiled core, dia. 5mm (CW-310) 30 metres in workshop box, grey

### CW-850

Shift/derailleur casing, Shimano-type stranded core, dia. 4mm (CW-350) 30 metres in workshop box, black

### CW-860

Shift/derailleur casing, Shimano-type stranded core, dia. 4mm (CW-360) 30 metres in workshop box, grey

## WBC-10

### TIG-welded

#### Water Bottle Cage

- Aluminium #6061-T4
- 154mm length, for ~ Ø74 mm
- Ø 6.2mm Alum. wire cage
- Colors: Black or silver
- Weight: 63 gram



## WBC-20

### TIG-welded

#### Water Bottle Cage

- Aluminium #6061-T4
- 153mm length, for ~ Ø74 mm
- Ø 6.2mm Alum. wire cage
- Colors: Black or silver
- Weight: 68 gram



## WBC-25

### Aluminium Plate

#### Water Bottle Cage

- One piece aluminium type, in welding free design
- 120 mm length, for ~ Ø74 mm
- Colors: Black or white
- Weight: 49 gram



## WBC-30

### Aluminium Plate

#### Water Bottle Cage

- Ultra-light design by using aluminium #5052, 1.2 mm thick
- Rubber cap for more flexibility
- 145 mm length, for ~ Ø74 mm
- Colors: Black or white
- Weight: 26 gram



## WBC-40

### PC Water Bottle Cage

- Polycarbonate (PC) material
- Extended and open back side design for more flexibility
- 145 mm length, for ~ Ø74 mm
- Colors: Black or white
- Weight: 28 gram



## WBC-50

### Aluminium Plate

#### Water Bottle Cage

- Welding free design
- Take the bottle from the side, for narrow bike frames and for left or right hand users
- 130 mm length, for ~ Ø74 mm
- Color: Black
- Weight: 43 gram



## BP-01

### Aluminium Mini Pump with T-handle

- Aluminium #6063 barrel
- T-handle for easier inflating
- High efficient performance
- Reversible Presta and Schrader
- Max. pressure 120 PSI
- Frame-bracket included



## BP-02

### Pocket Aluminium Pump

- 7" Micro size for easy storage
- 2-Component soft grip handle
- Aluminium #6063 barrel
- Reversible Presta and Schrader
- Max. pressure 120 PSI
- Frame-bracket included



## BP-01G

### Aluminium Mini Pump with T-handle & Gauge

- Like BP-01, with additional precise in-line gauge



## BP-02G

### Pocket Aluminium Pump with In-Line Gauge

- Like BP-02, with additional precise in-line gauge
- With aluminium lever and aluminium valve cap



## BP-03

### Aluminium High-Pressure and High-Volume Mini Pump

- Lockable in high-pressure / high-volume mode, for easy inflating
- With aluminium lever and aluminium valve cap
- Aluminium #6063 barrel
- 2-Component soft grip handle
- Reversible Presta and Schrader
- Max. pressure 120 PSI



## BP-11F

### Floor Pump with durable Steel Barrel & Base

- Ergonomic 2-Component soft grip handle
- Reversible Presta and Schrader (twist & lock)
- Max. pressure 160 PSI
- With precise gauge



## BP-C01

### CO<sub>2</sub> Pump with Cartridge Housing

- Fits 16 grams cartridges with and without thread
- Fits with Presta and Schrader valves
- 1 x 16 grams cartridge included



## BP-C16

### CO<sub>2</sub> Cartridges 16 Grams with Thread

- 2 x 16 grams cartridges
- For use in CO<sub>2</sub> pumps, like BP-C01
- Universal cartridge, fits all CO<sub>2</sub> pumps



## BP-12F

### High-End Aluminium Floor Pump

- Aluminium die casted joining flange for barrel and base offers extra durability
- Ergonomic 2-Component soft grip handle
- Clever valve system fits both, Presta and Schrader directly
- Max. pressure 160 PSI
- Top mounted gauge for easy reading





### GP-01

- Black + grey
- Length: 128mm  
with cutting line at 85mm



### GP-02L

- Black + grey
- Length: 128mm  
with black lock-on ring  
also available in long/ short  
combination 128mm + 100mm (GP-02LS)



### GP-03

- Black
- Length: 130mm  
with cutting line at 95mm



### GP-04

- Black
- Length: 128mm



### GP-06

- Black + gray
- Length: 125mm



### GP-20 / GP-21

- Brown leather
- Length: 135mm  
with ti-coloured lock-on ring  
also available in long/short  
combination 135mm + 97mm (GP-21)  
also available in black leather 135mm (GP-22)  
and 135mm + 97mm (GP-23)



### GP-02

- Black + grey
- Length: 128mm  
with cutting line at 90mm



### GP-02LS



### GP-03L

- Black
- Length: 125mm  
with black lock-on ring  
also available in long/ short  
combination 125mm + 90mm (GP-03LS)



### GP-05

- Black + grey + dark grey
- Length: 130mm  
with cutting line at 95mm



### GP-07

- Black + grey
- Length: 130mm  
with cutting line at 95mm



### GP-27 / GP-28

- Black leather
- Length: 130mm  
with black lock-on ring  
also available in long/short  
combination 130mm + 95mm (GP-28)  
also available in brown leather 130mm (GP-25)  
and 130mm + 95mm (GP-26)



### MG-01

- MTB/ATB 24"-26" front and rear fender
- Clips on and off quickly
- Incl. all necessary hardware



### MG-03

- Fender for downtube of MTB 22"-26"
- Assembly by 2 anti-slip rubber woven straps



### MG-04F

- Road bike 700C and 26" front fender
- Light weight design
- Quick fit by 2 long rubber straps



### MG-04R

- Road bike 700C and 26" rear fender
- Light weight design
- Quick release system for seat post



### MG-11F

- MTB 24"-26" front fender
- Suitable for suspension bikes
- Special TPR material mudflap
- Fits steering tubes from 18.5 - 25.4 mm



### MG-11R

- MTB 24"-26" rear fender
- Suitable for suspension bikes
- Special TPR material mudflap
- Quick release system for seat post

### BOT-01 BLACK

- Material: LDPE
- 680 ccm
- Black
- With dust lid



### BOT-01 SILVER

- Material: LDPE
- 680 ccm
- Silver
- With dust lid



### BOT-02 THERMO

- Material: LDPE
- 480 ccm
- Silver or black
- Foam filled compartment to keep drink cool





### AH-10

- A-head adjustable 0-60 degrees
- Material: Aluminium #6061-T6, black coated
- Bar bore size 25.4mm
- Extension 90mm



### AH-11

- A-head adjustable 0-60 degrees
- Material: Aluminium #6061-T6, black coated
- Bar bore size 25.4mm
- Extension 110mm



### AH-12

- A-head adjustable 0-60 degrees
- Material: Aluminium #6061-T6, black coated
- Bar bore size 25.4mm
- Extension 130mm



### AH-20

- A-head adjustable 0-60 degrees
- Material: Aluminium #6061-T6, black coated
- Bar bore size 31.8mm
- Extension 95mm



### AH-21

- A-head adjustable 0-60 degrees
- Material: Aluminium #6061-T6, black coated
- Bar bore size 31.8mm
- Extension 110mm



### AH-22

- A-head adjustable 0-60 degrees
- Material: Aluminium #6061-T6, black coated
- Bar bore size 31.8mm
- Extension 125mm



### BE-10

- Bar end, one piece 3D forged
- Material: Aluminium #6061-T6, black anodized
- Length: 110mm
- Weight: 144g



### BE-20

- Bar end, one piece 3D forged
- Material: Aluminium #6061-T6, black anodized
- Length: 150mm
- Weight: 134g



### BE-30

- Bar end, one piece 3D forged
- Material: Aluminium #6061-T6, black anodized
- Length: 85mm
- Weight: 121g

### BE-PLUG

- Plastic plugs for handlebar
- Also fits BE-20 and BE-30





### HS-10

- Headset threadless 1" for road bike
- SHIS code: EC30/25.4 | EC30/26



### HS-11

- Headset threadless 1 1/8" for MTB
- SHIS code: EC34/28.6 | EC34/30



### HS-30

- Headset 1 1/8" integrated dimension 41.8 / 30
- SHIS code: IS42/28.6 | IS42/30



### HS-35

- Headset 1 1/8" semi-integrated dimension 44 / 30
- SHIS code: ZS44/28.6 | ZS44/30



### HS-40

- Headset 1 1/8" tapered integrated dimension 41.8/52.0-39.8
- SHIS code: IS42/28.6 | IS52/40



### HS-45

- Headset 1 1/8" tapered semi-integrated dimension 44.0/56.0-39.8
- SHIS code: ZS44/28.6 | ZS56/40



### HS-20

- Headset cap for 1" headsets
- Material: Aluminium #6061-T6, black anodized
- Size: 1" cap with 1" star nut
- Stainless steel screw



### HS-21

- Headset cap for 1 1/8" headsets
- Material: Aluminium #6061-T6, black anodized
- Size: 1 1/8" cap with 1 1/8" star nut
- Stainless steel screw



### BB BOTTOM BRACKET CARTRIDGE

- With high-end sealed cartridge bearings
- Steel cups and Boron-steel spindle
- Incl. 2 bolts (CrMo 12.9)
- Available in 14 lengths (from 103 up to 131.5mm)



BB-E01

BB-E02

### BB-E01/E02

- External BB set threaded, Shimano compatible
- 11.2mm (E01) for road bike and 10.2mm (E02) for MTB&city



### BB-E03

- External BB set threaded, SRAM compatible
- 12.5mm for road bike, MTB&city



### BB-PF01

- Press fit BB for 24mm spindle Shimano
- For bracket width 86.5 / 89 / 92mm



### BB-PF02

- Press fit BB for 30mm spindle SRAM / FSA
- For bracket width 68 / 73 / 86.5mm



### BB-RPF01

- Press fit reducer BB set
- Convert to Shimano crank (spindle 24mm)
- For frames with BB shell width 68mm



### BB-RPF02

- Press fit reducer BB set
- Convert to Shimano crank (spindle 24mm)
- For frames with BB shell width 86mm



### BB-6805

- Bearing set 6805
- 37 x 25 x 7mm (2 pieces)



### BB-6806

- Bearing set 6806
- 42 x 30 x 7mm (2 pieces)



### BB-RE01

- Press fit reducer sleeve
- Convert to BB set with external thread
- For frames with BB shell width 68mm to 73mm



**KS-10**

- Kickstand for rear stay mount
- Material: Aluminium, ED black
- Adjustable 24" - 28"



**KS-20**

- Center mount kickstand (middle assy)
- Material: Aluminium, silver or ED black
- Adjustable 24" - 28"



**KS-25**

- Center mount kickstand (middle assy)
- Material: Aluminium #6061-T6, liquid coated, silver or black
- Adjustable 24" - 28"

**KS-30**

- Center mount double leg kickstand
- Material: Aluminium, #6061-T6, ED black
- For bike size 28"
- Foot width 195mm



**KS-35**

- Center mount double leg kickstand
- Material: Aluminium #6061-T6, silver or ED black
- Adjustable 24" - 28"
- Foot width 195mm



**SSP-01**

- Suspension seat post
- Material: Aluminium #6061-T6, silver anodized
- Length 350mm, with plain head
- Diameters 26.8mm and 27.2mm



**SSP-02**

- Suspension seat post
- Material: Aluminium #6061-T6, silver anodized
- Length 350mm, with ATB/micro adjust head
- Diameters 26.8mm and 27.2mm



**EX-10/EX-11**

- Extender for steering tube
- Material: Aluminium #6061-T6, silver anodized
- Compatible for threaded and threadless headset
- Size: 25.4 x 22.2mm and 28.6 x 25.4mm



### TB-01

- Tri-bar with arm rest pads
- Material: Aluminium #6061-T6
- Powder coated black
- Weight: 640g



### TB-02

- Tri-bar with clip-on arm rests
- Detachable pads
- Width & angle fully adjustable
- Material: Aluminium #6061-T6
- Black anodized
- Weight: 570g



### MB-01

- Multibar for trekking bikes
- Material: Aluminium #6061-T6
- Width 570mm
- Available in matt black and polished silver



### MB-02

- Foam set for Multibar
- Damping shock and vibration
- Length 400mm
- Incl. 2 handlebar plugs



### RC-01

- Aluminium rear carrier
- Material: Aluminium #6061-T6  
black powder coated
- Adjustable 24" - 28"
- Weight: 612g



### RC-02

- Aluminium rear carrier
- Material: Aluminium #6061-T6  
silver anodized
- Adjustable 24" - 28"
- Spring clamp included
- Weight: 753g



### RC-03

- Aluminium rear carrier
- Material: Aluminium #6061-T6  
silver powder coated
- Adjustable 26" - 28"
- Without Spring clamp
- Weight: 995g



*Selle San Remo*



**MARWI Taiwan Industrial Co., Ltd.**  
No.56, Chongyi 3rd Rd., Dajia Dist, Taichung City,  
Taiwan R.O.C.  
Tel: +886-4-26881234 Fax: +886-4-26882141  
E-mail: info@marwi.com.tw  
Website: www.marwi.com.tw

**MARWI Indonesia**  
P.T. Xerama Bicycle Industrial  
Jl. Raya Curug Km. 2, Kp. Cisereh, Ds, Kadu  
Jaya, Kec. Curug, Tangerang 15810, Indonesia  
Tel: +62-21-5981111 +62-21-5981234  
Fax: +62-21-5981570 +62-21-5980238  
E-mail: info@marwi.com.tw

**MARWI USA Corporation**  
3445 Fletcher Ave. El Monte, 91731, CA, USA  
Tel: +1-626-538-9338  
E-mail: info@marwi-usa.com

**MARWI Europe B.V.**  
Corkstraat 1, 3047 AC Rotterdam, The Netherlands  
Tel: +31-10-2088060 Fax: +31-10-2088069  
E-mail: info@marwi.nl  
Website: www.marwi-eu.com

**MARWI CZ s.r.o.**  
Mala Velen-Jedlka 22, 40502 Decin 2, Czech Republic  
Tel: +420-412-586259 Fax: +420-412-586257  
E-mail: info@marwi.cz  
Website: www.marwi.cz